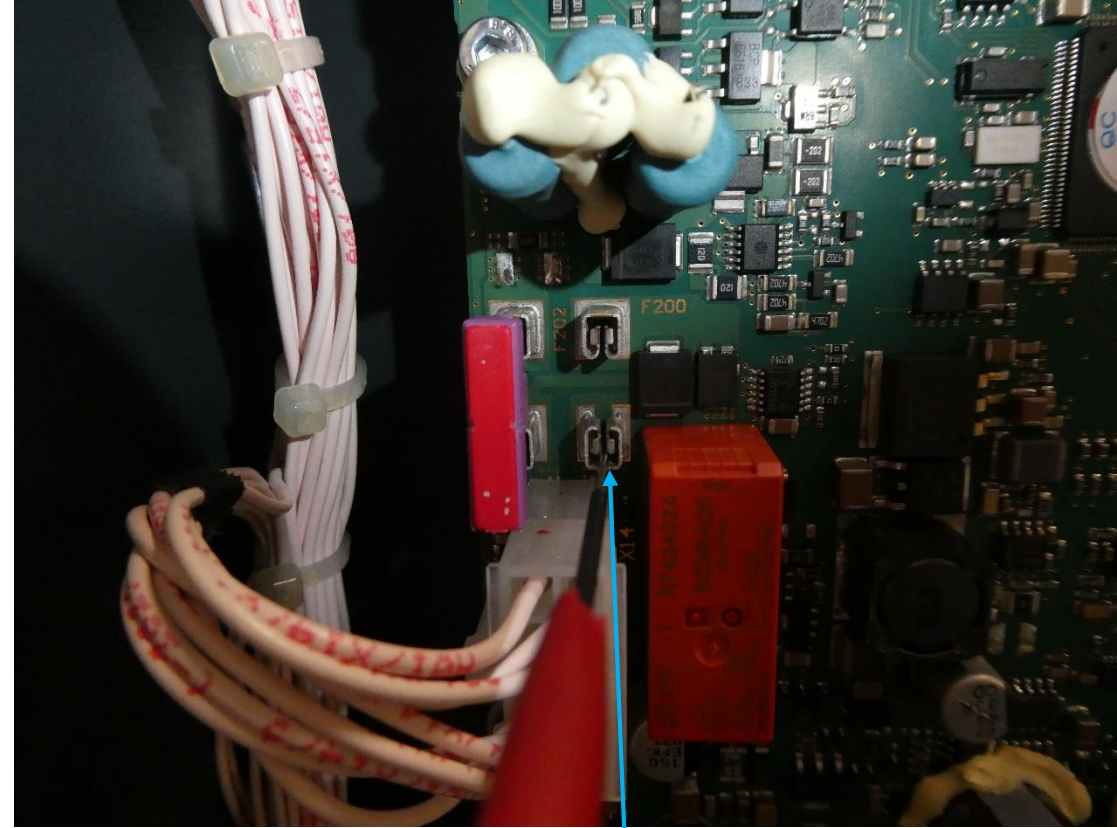
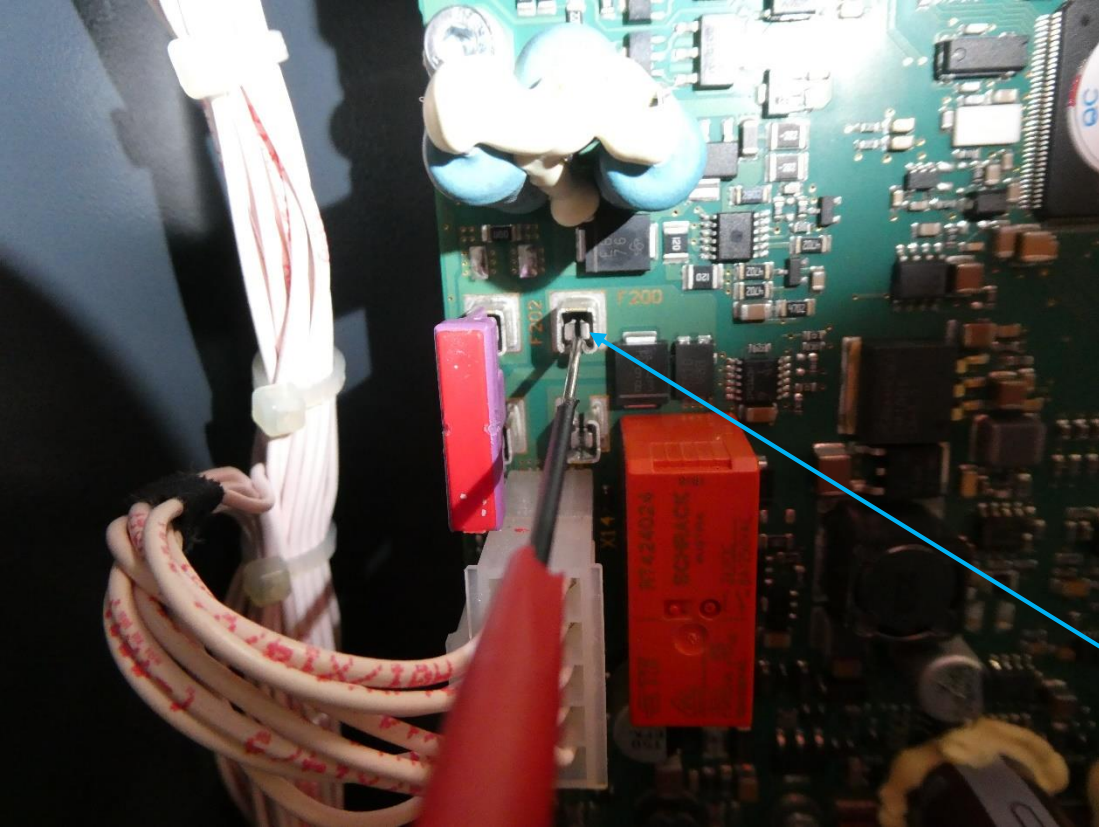


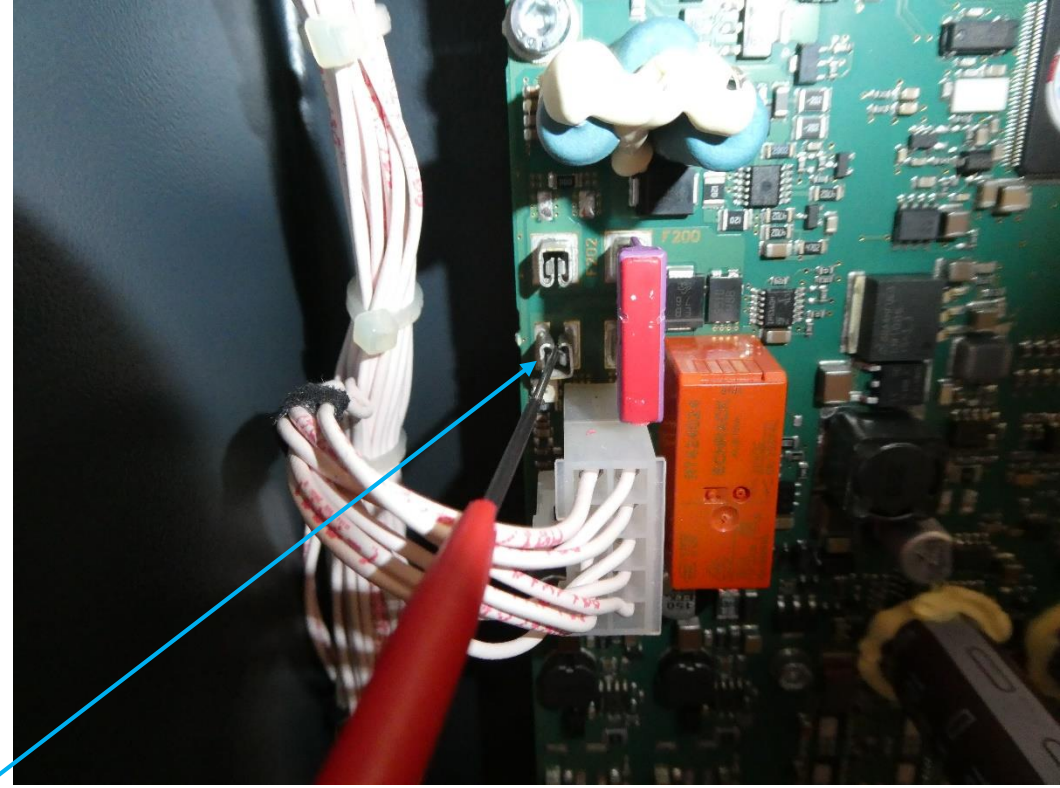
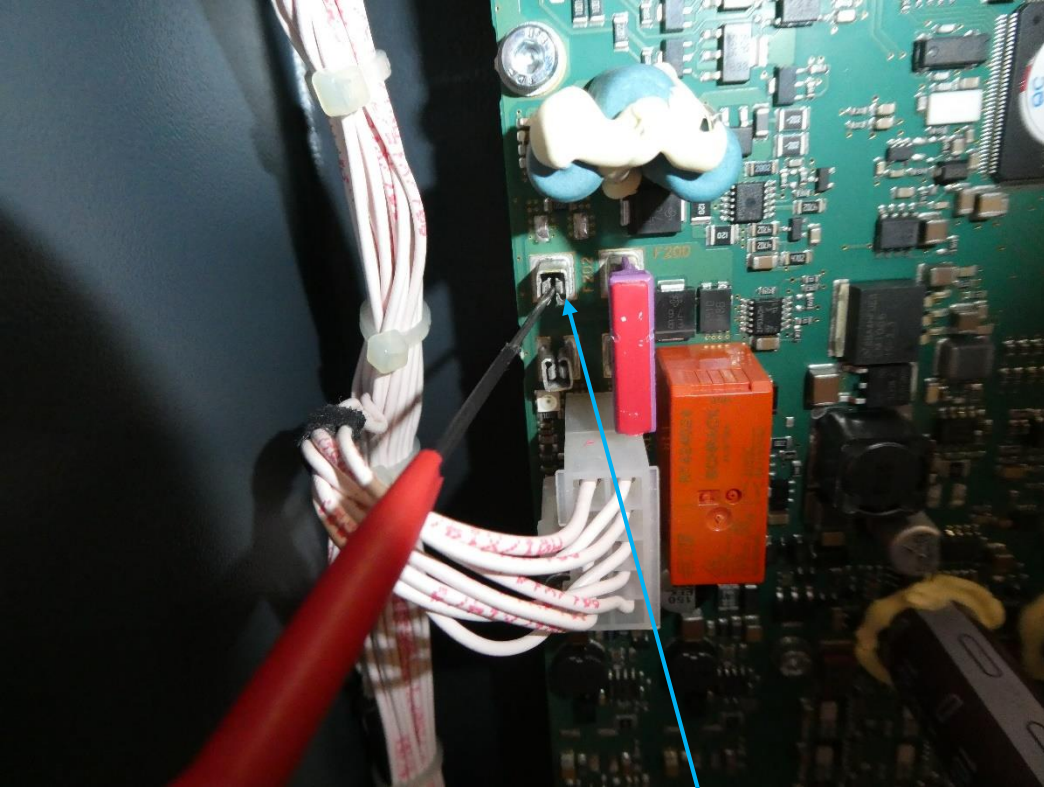


Troubleshooting of the Can-Bus on the Scrubmaster 175R and
260R series scrubber

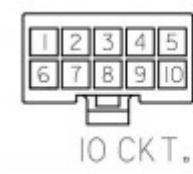
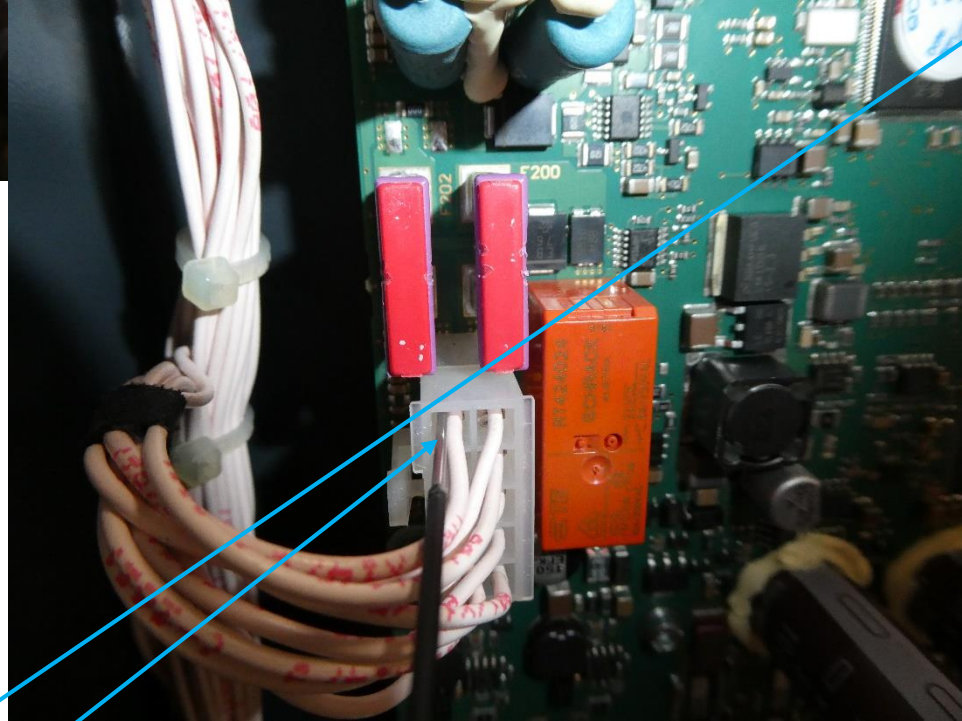
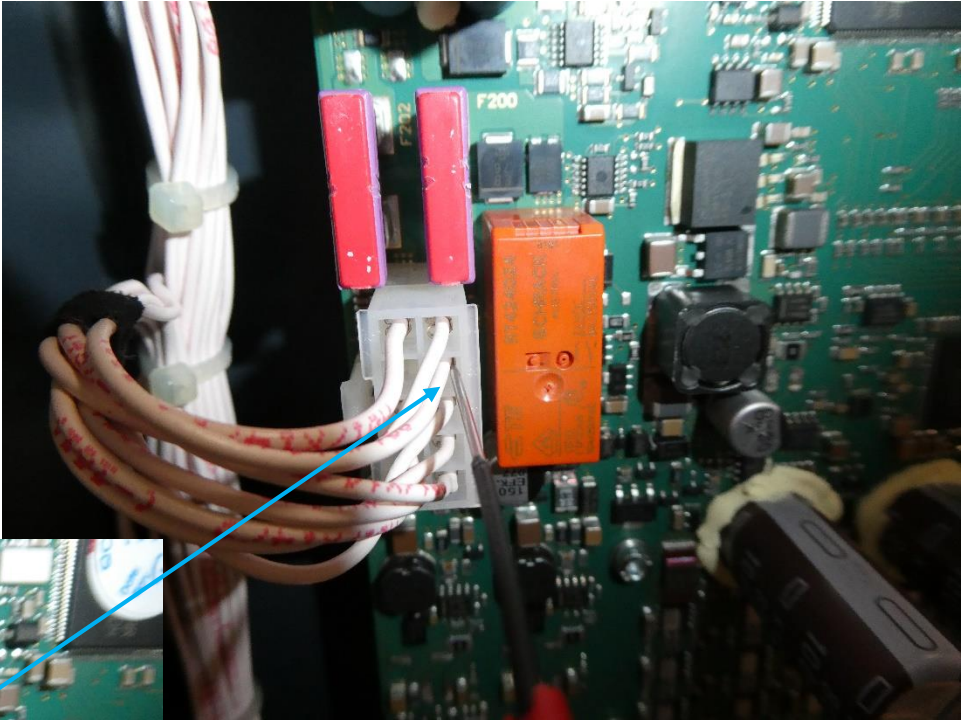
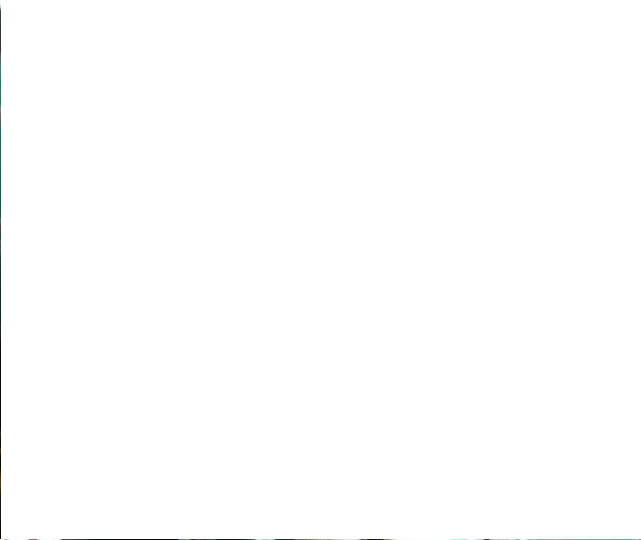
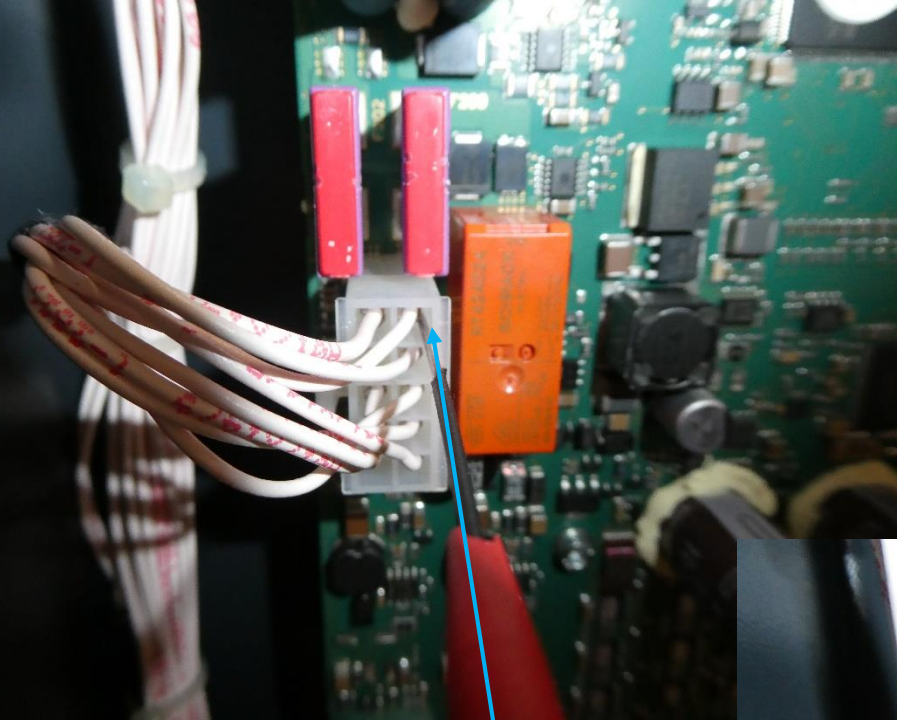


If either fuse blown there is a direct short to A01 Card

Verify fuses F200 and F202 (3 amp) are good on A01 card. Next pull F200 and check from fuse slot to chassis ground. Reading should be .OL on both slots. If not this is a direct short in the power protection control circuit.

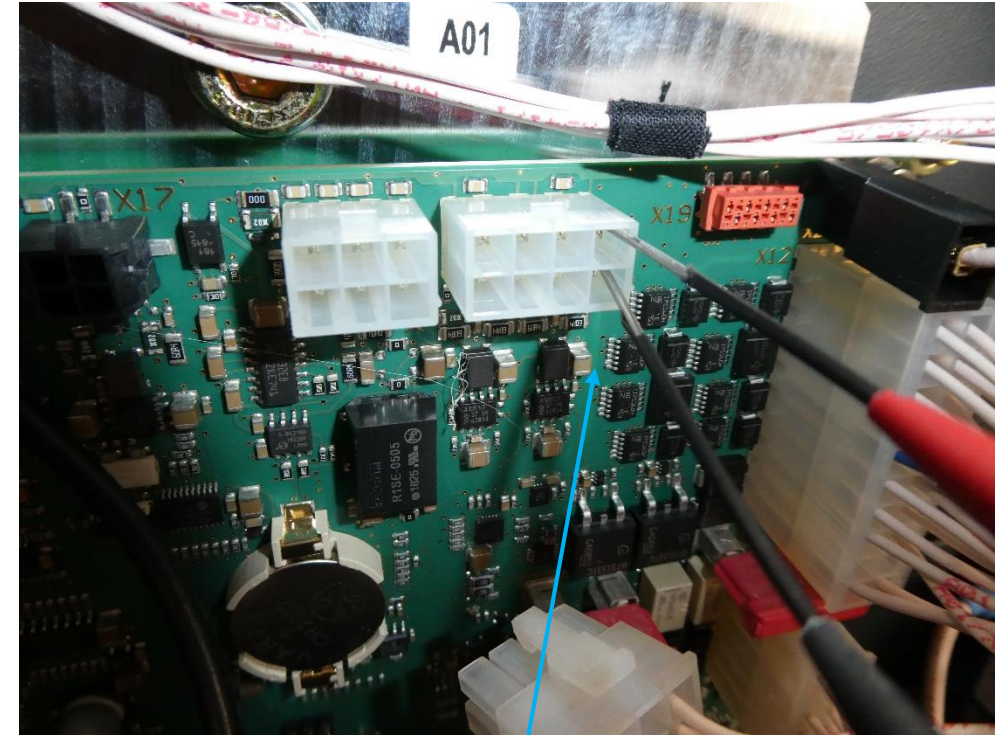
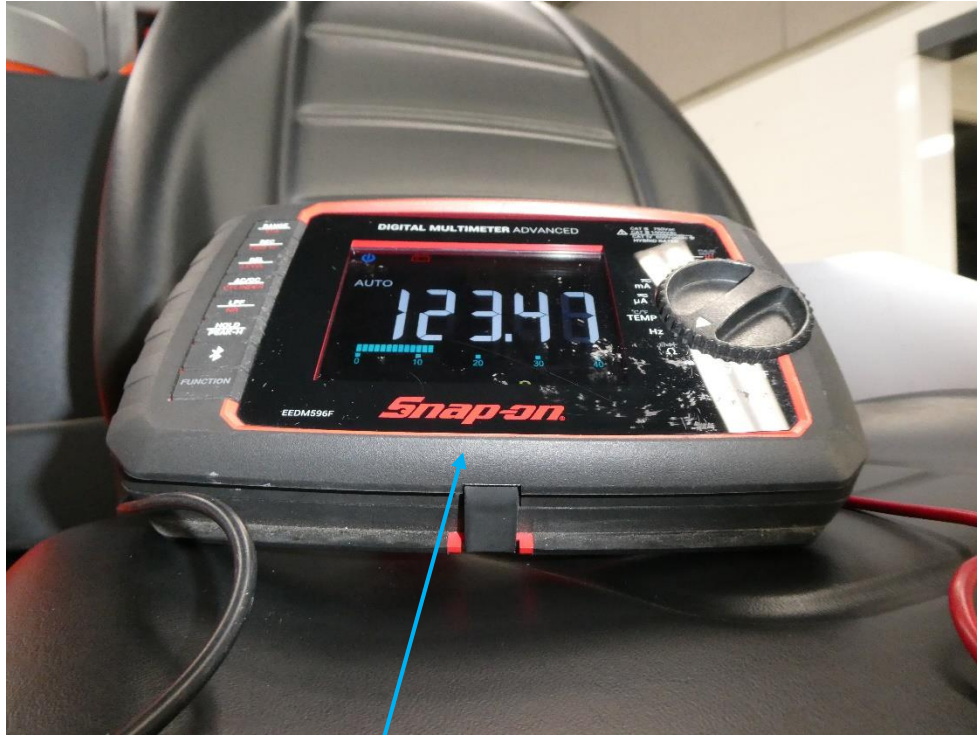


Pull F202 and check from fuse slot to chassis ground. Reading should be .OL on both slots. If not this is a direct short in the ground protection control circuit.

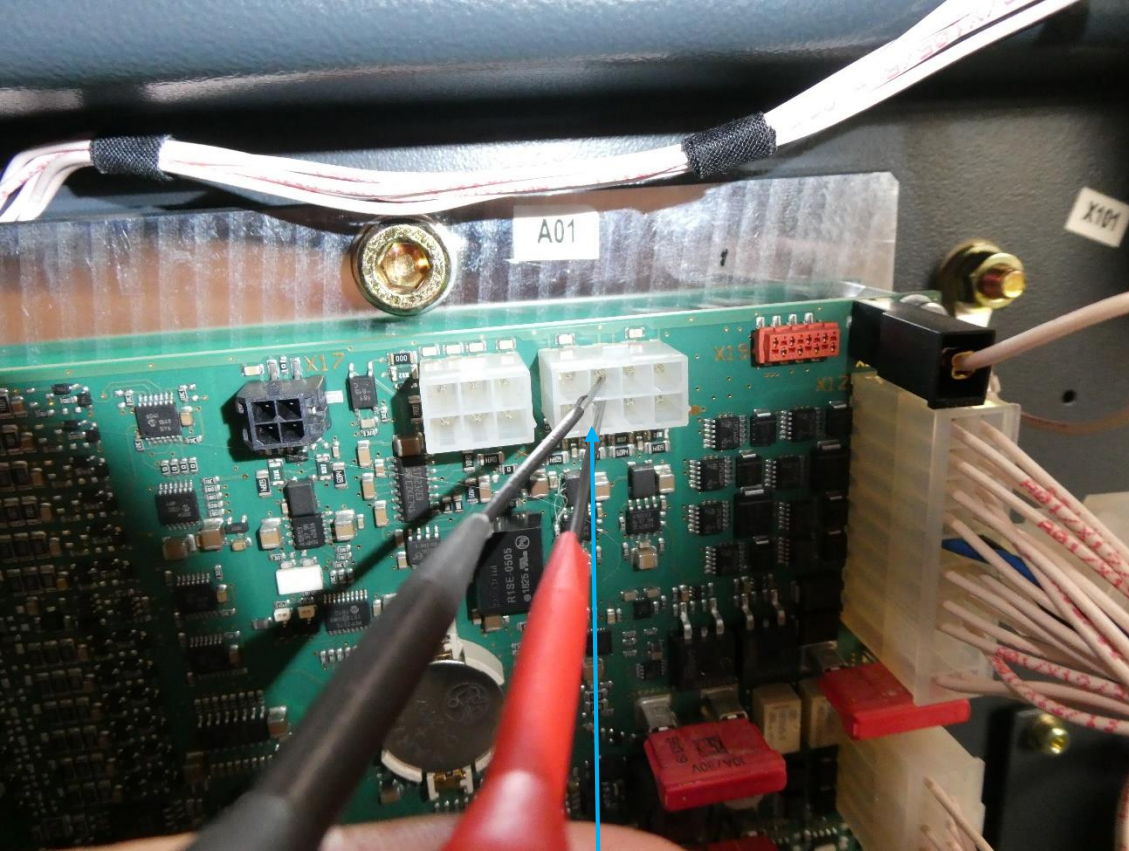


On plug X14 check pins 1, 2 and 6 to chassis ground. Reading should be .OL. If not there is a direct short to ground within the W3 Main Machine Harness.

Checking The Resistor's



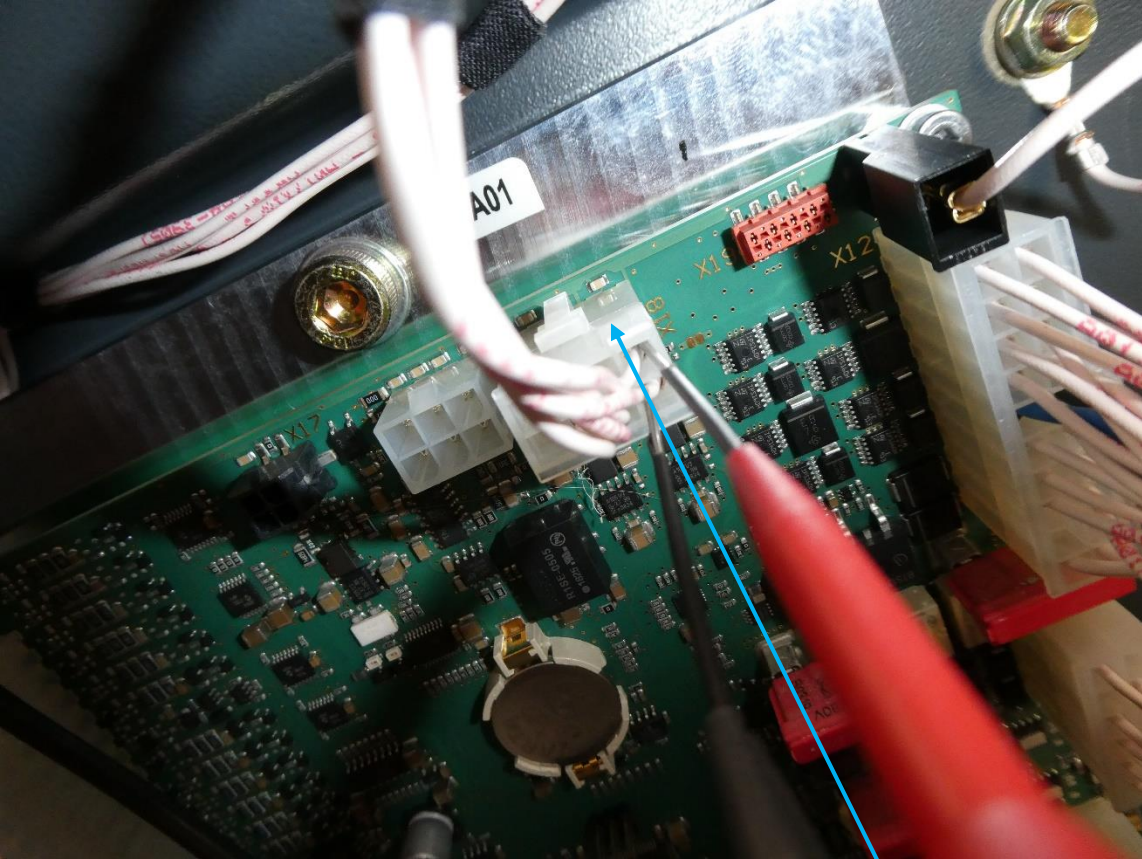
Remove the X18 plug from A01 board. Set Multimeter to Ohm's. Check across pins 1 and 5. Reading should be 120 Ohm's.



Check across pins 3 and 7



Reading should be 120 Ohm's

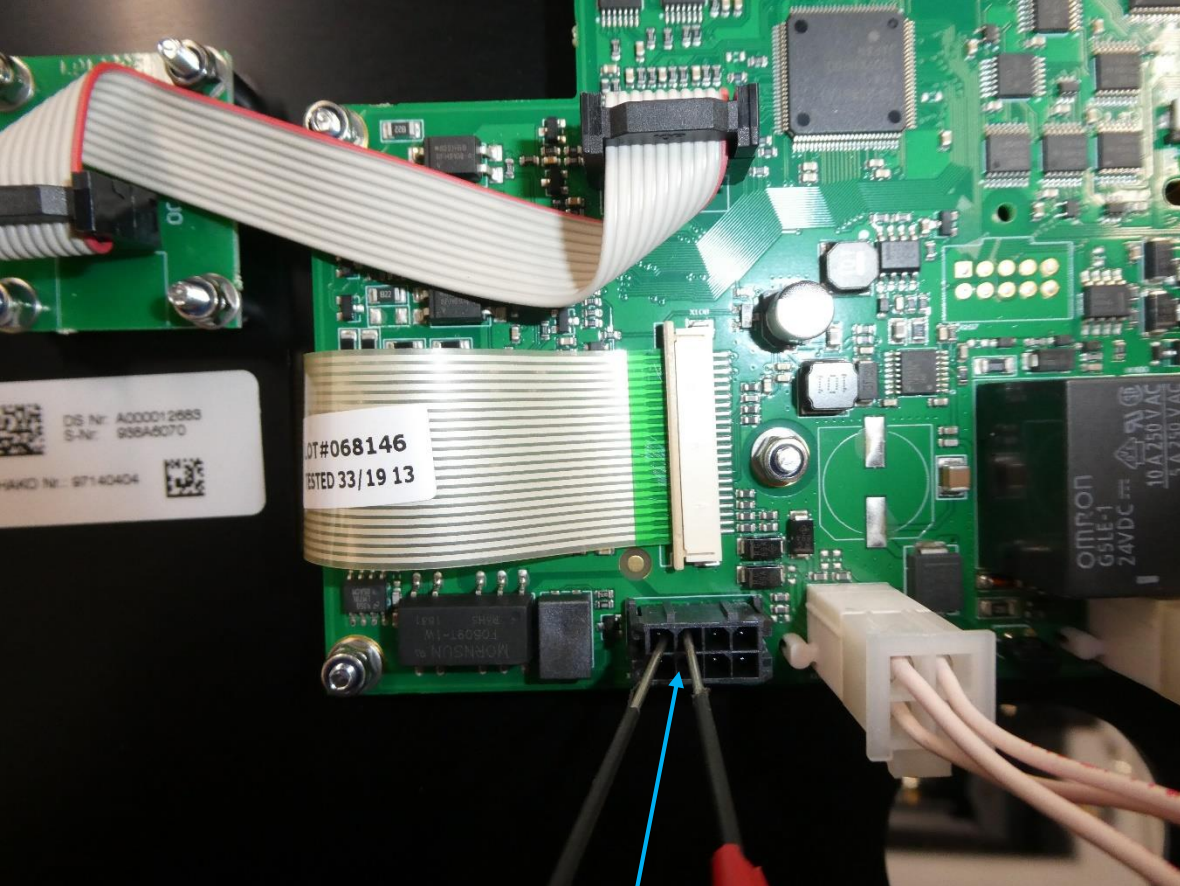


Re-install plug X18 plug and test between pins 1 and 5.

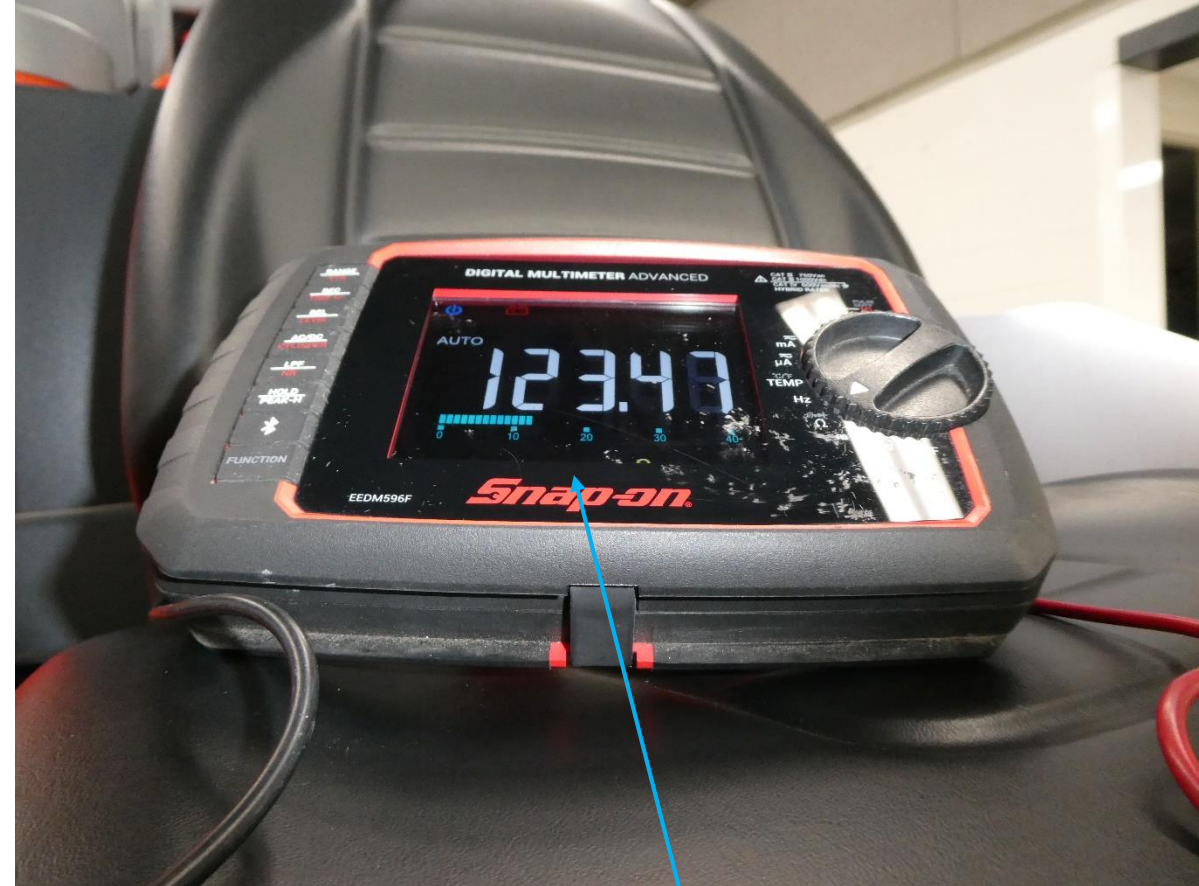


Reading should be 60 Ohm's

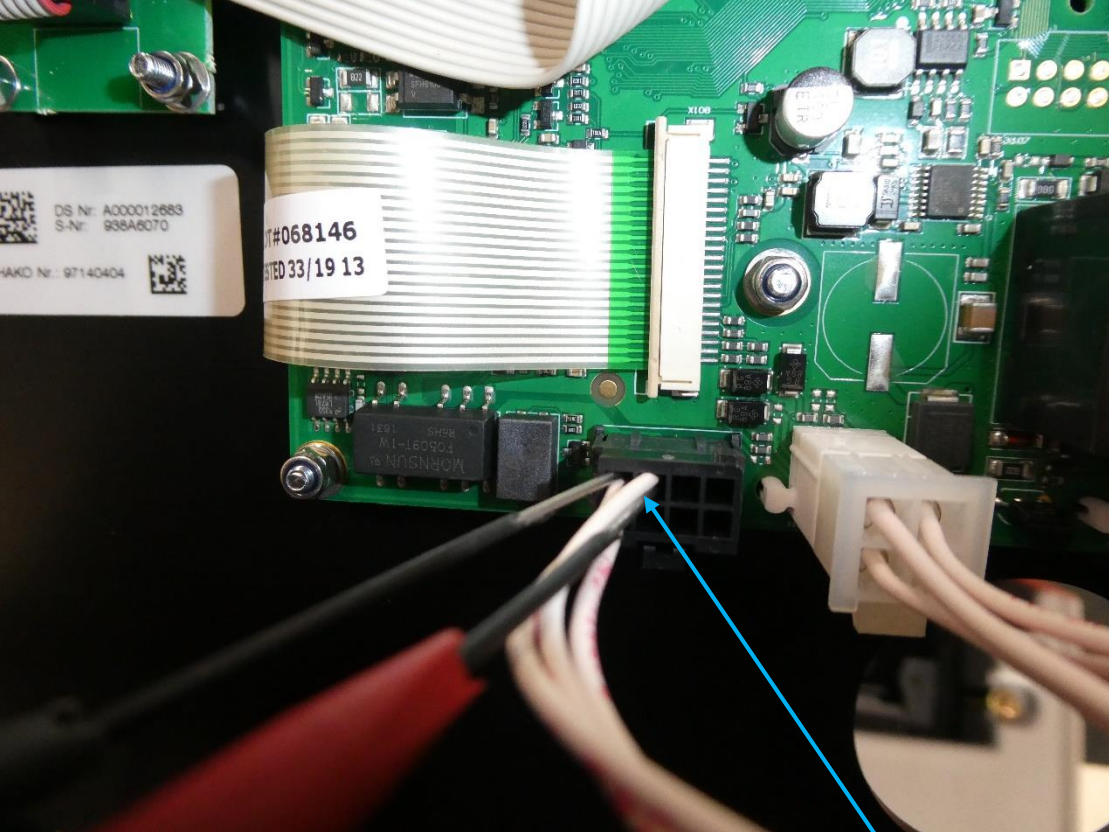




Remove the X105 plug from the back of Control Panel and test across pins 1 and 2.



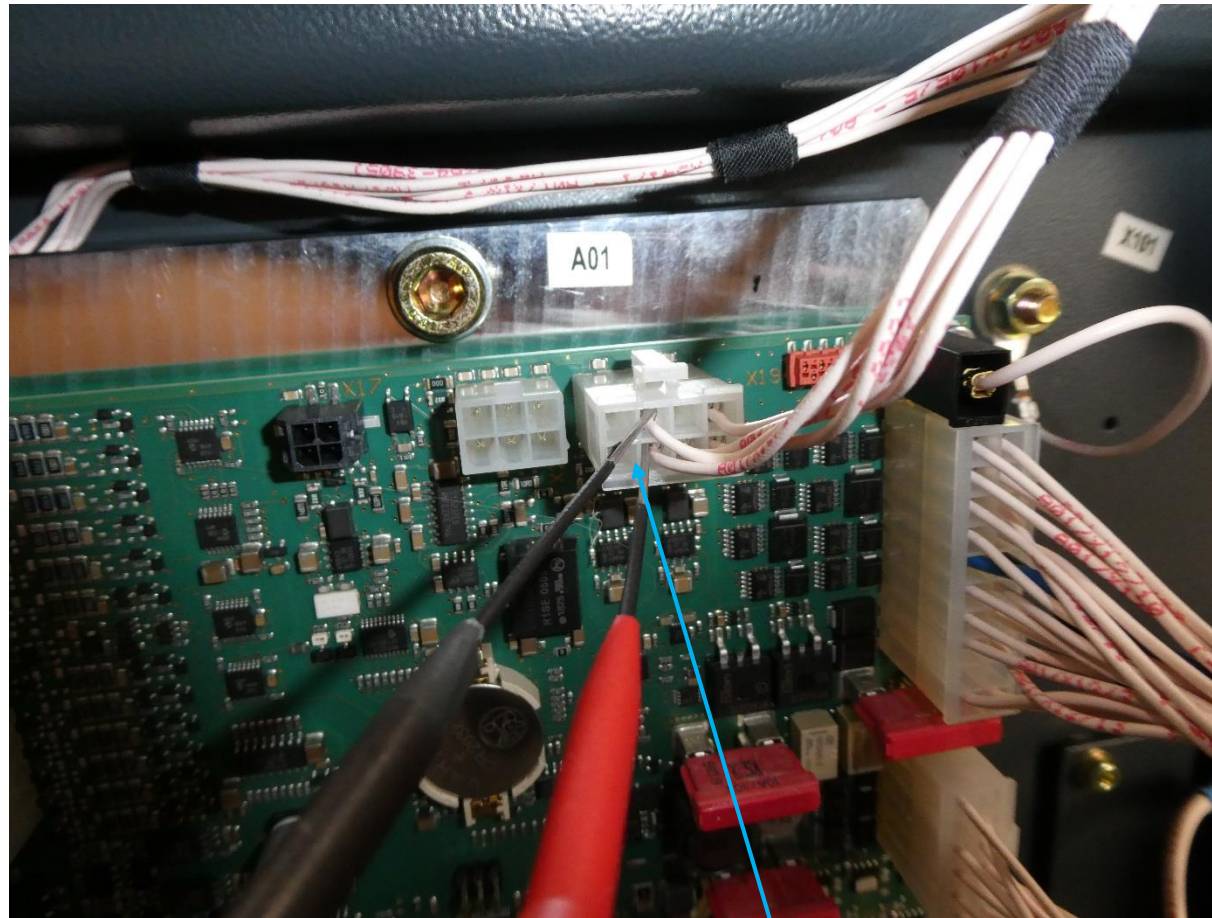
Reading should be 120 Ohm's.



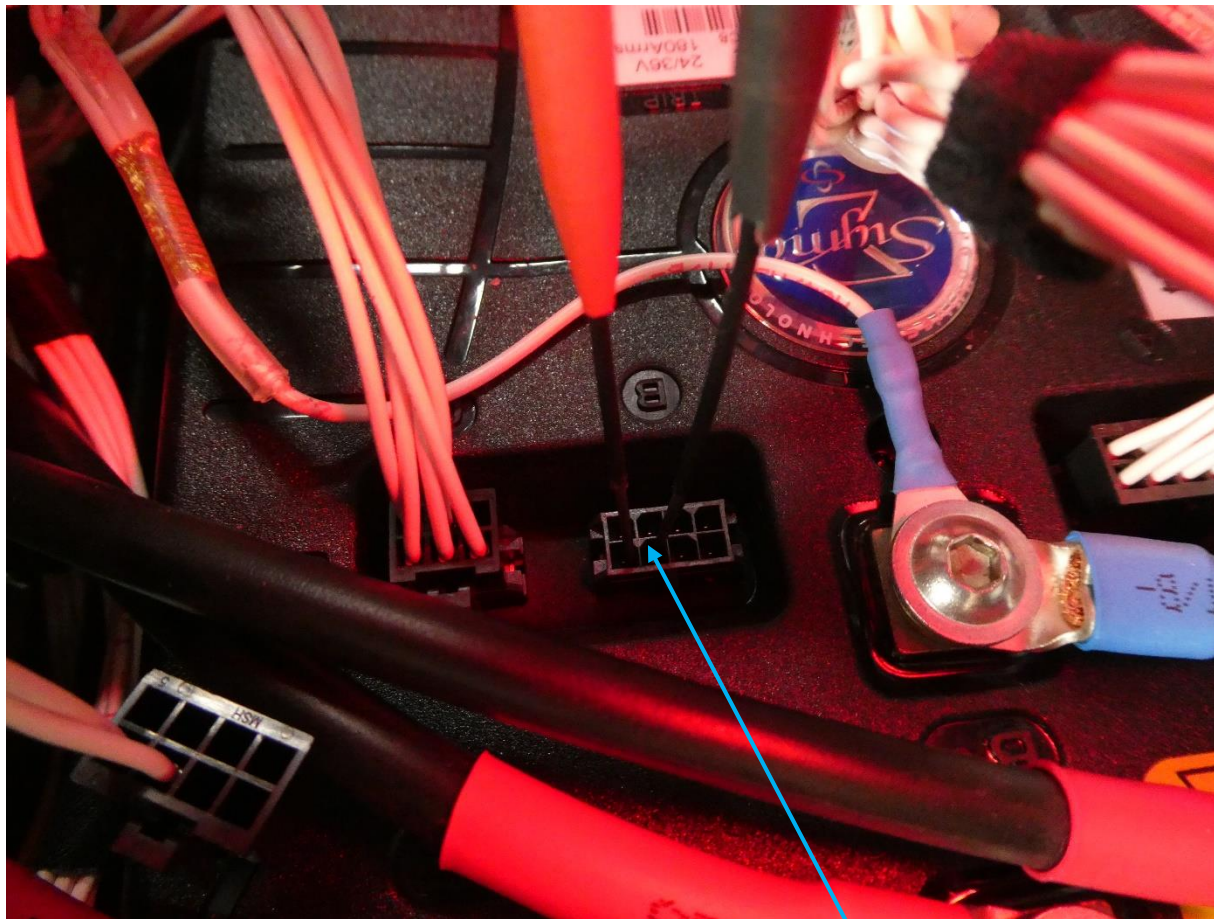
Re-install X105 plug and test across pins 1 and 2.



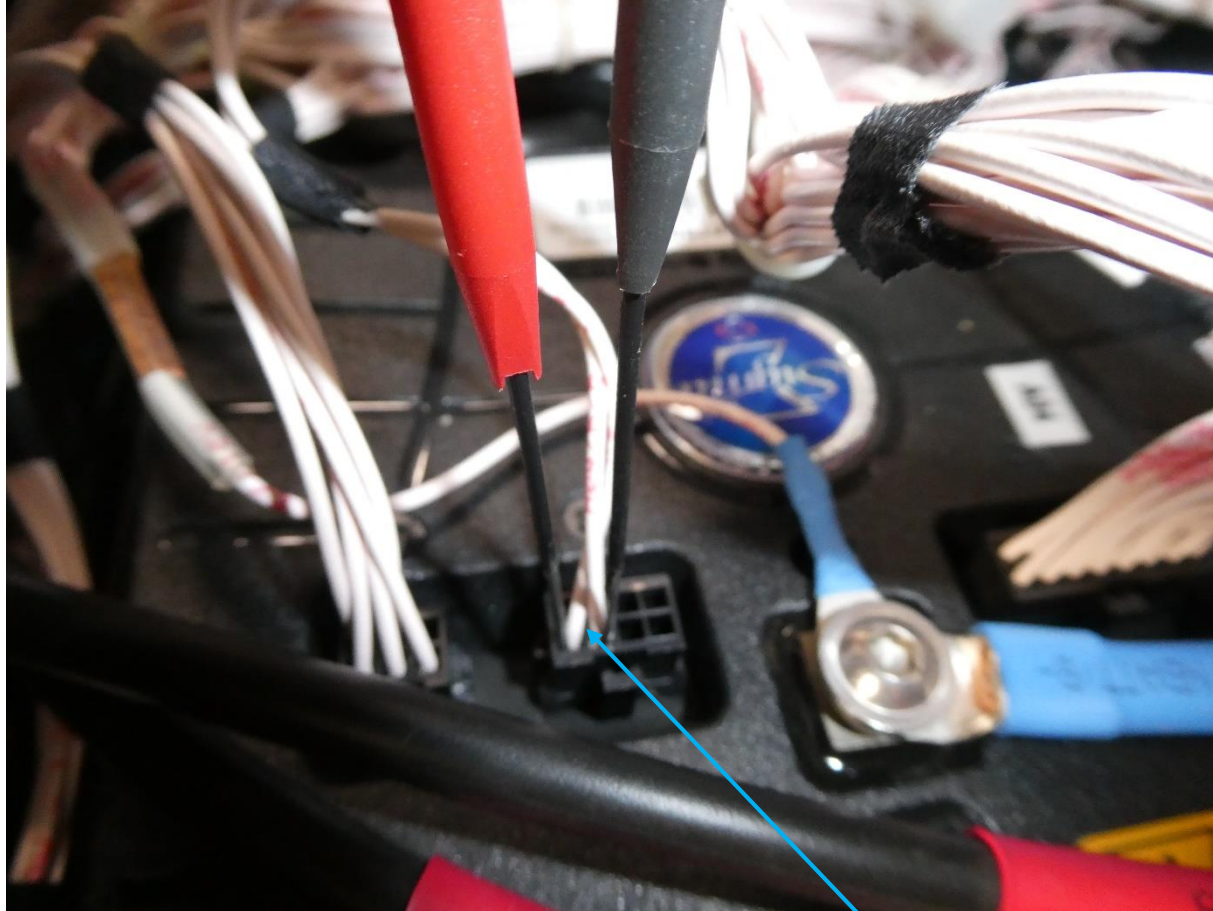
Reading should be 60 Ohm's.



Re-install X18 plug of A01 board and test between pins 3 and 7. Reading should be 60 Ohm's.

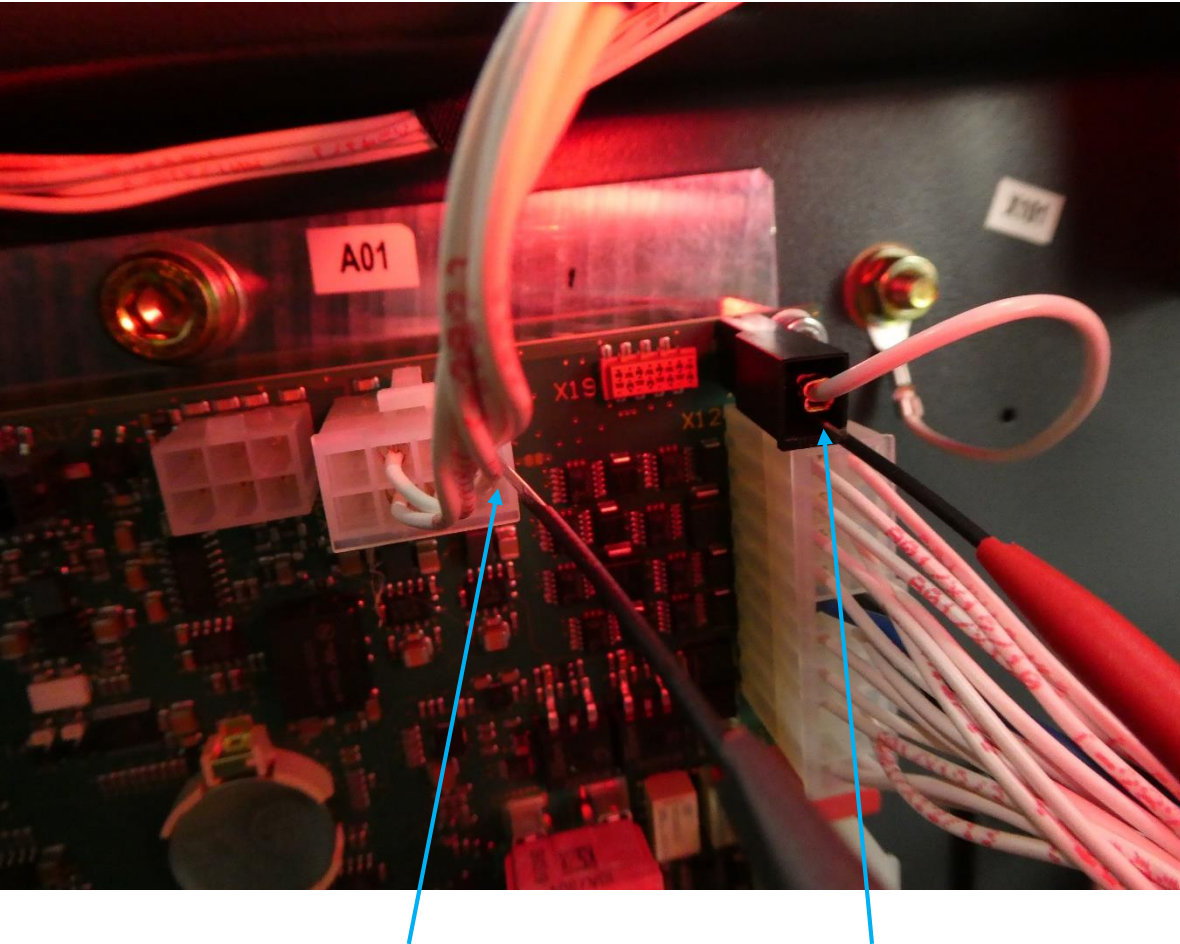


Remove the B plug from A04 drive controller and test across pins 5 and 6. Reading should be 120 Ohm's.



Re-insert B plug into A04 Drive Controller and test between pins 5 and 6. Reading should be 60 Ohm's.

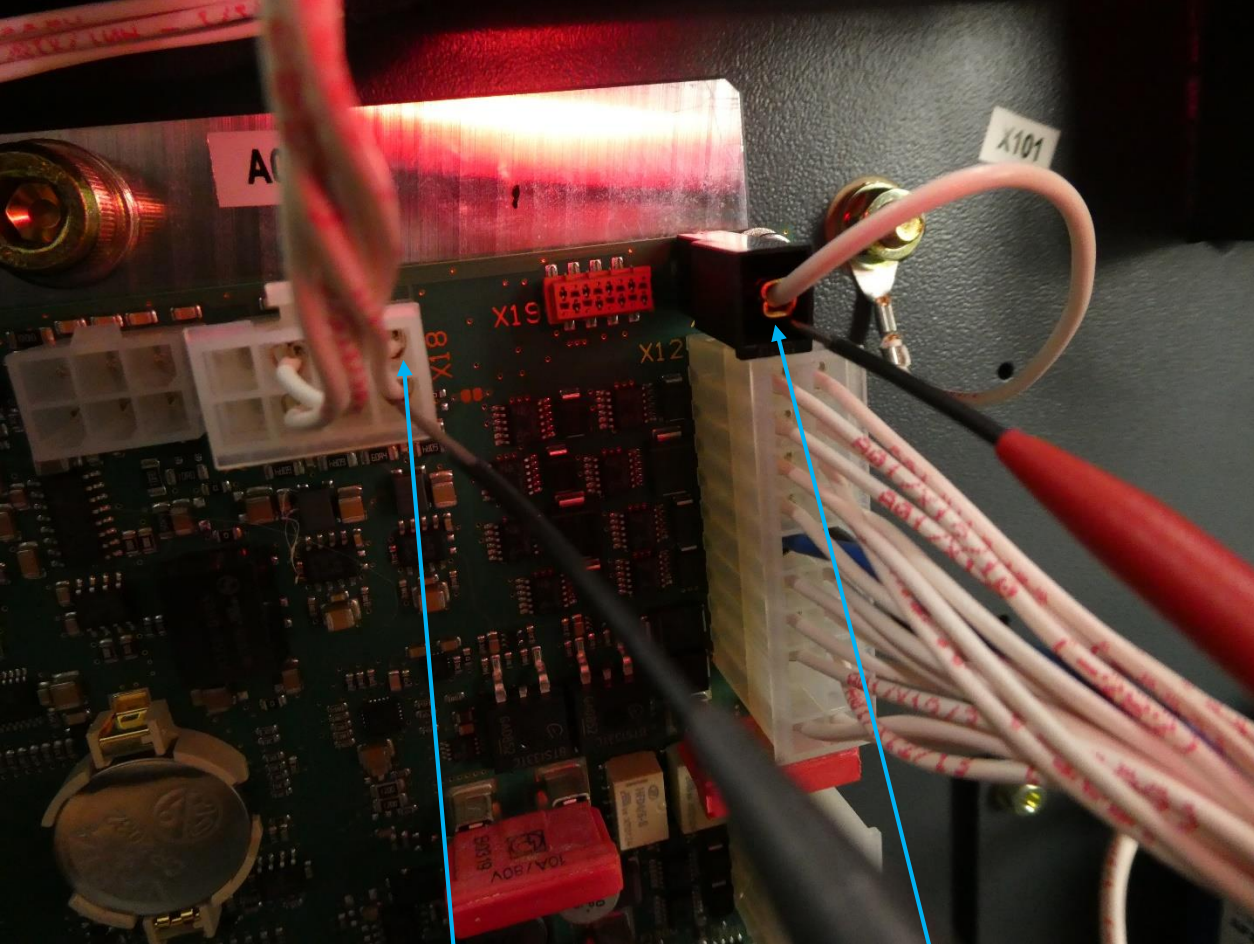
Checking Faulty Can-Bus Circuit



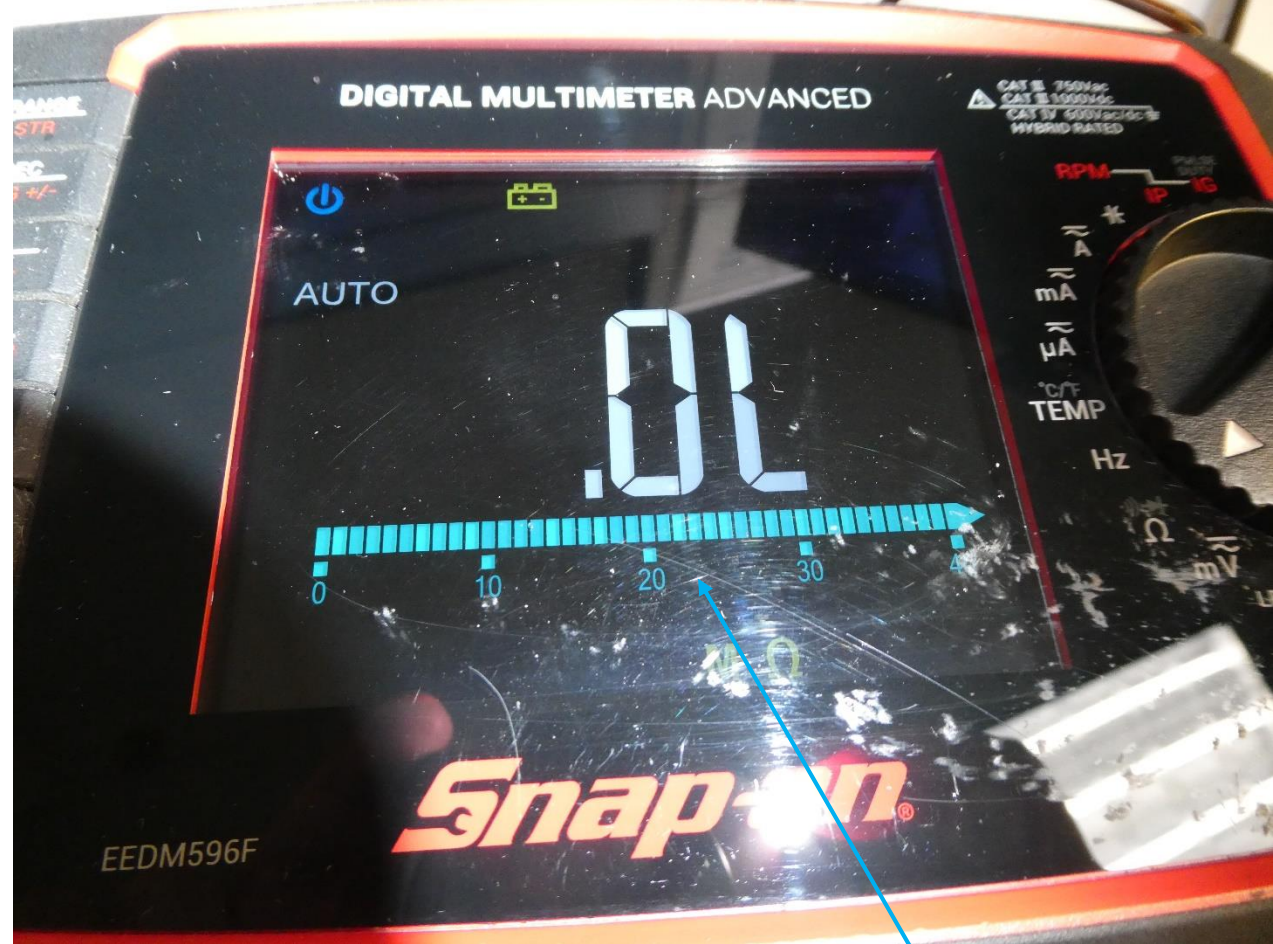
Check pin 1 of X18 plug of A01 board to chassis ground



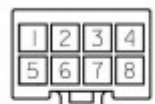
Reading should be .OL, if not this circuit needs to be checked for ground fault.



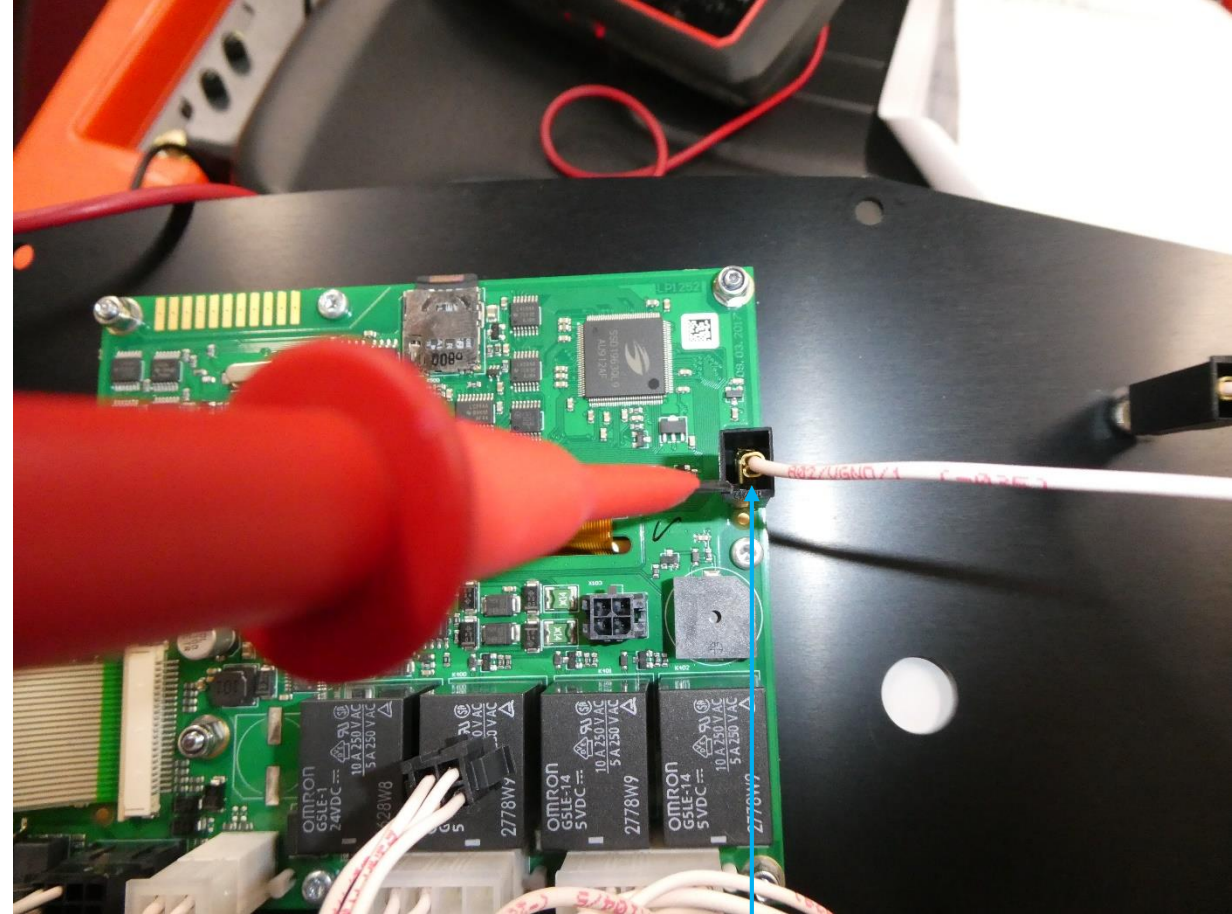
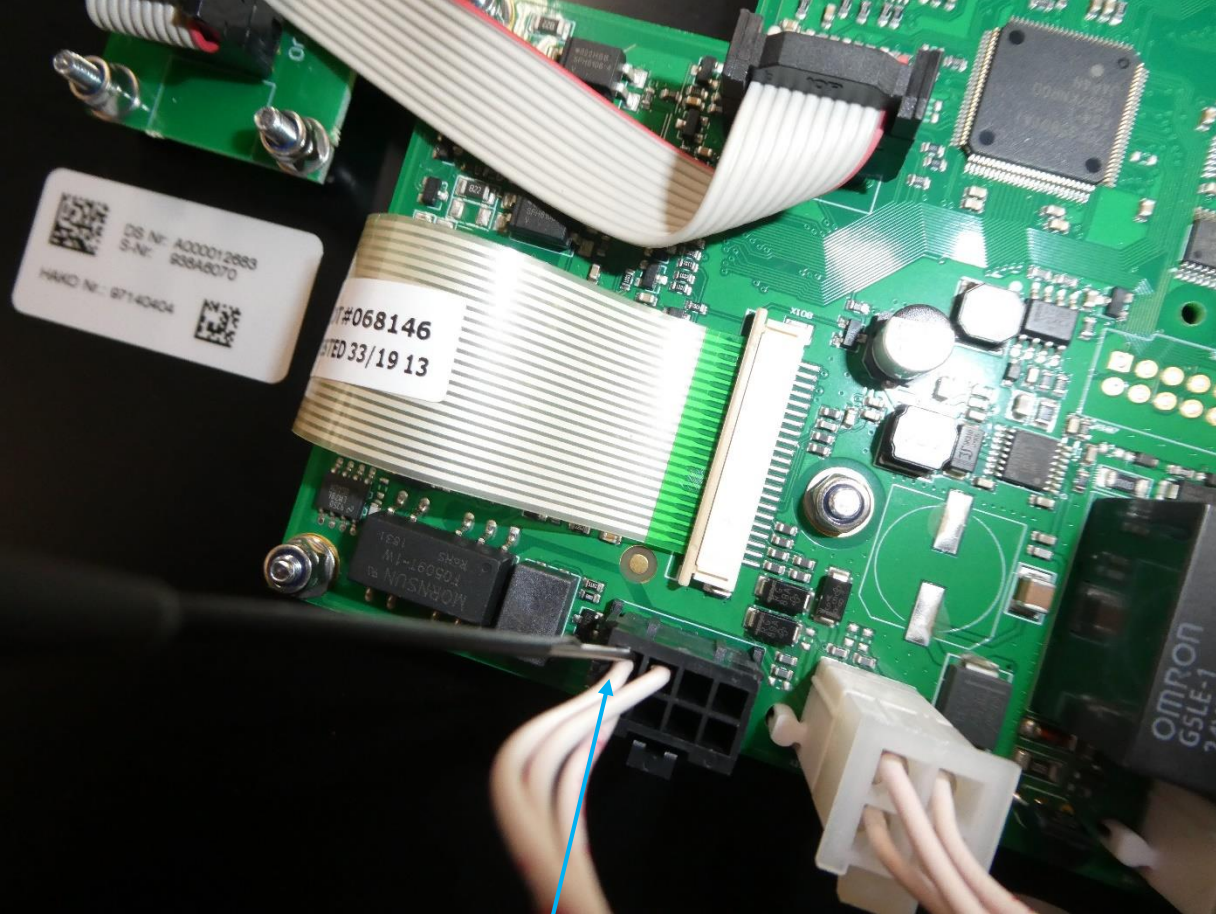
Check pin 5 of X18 plug of A01 board to chassis ground



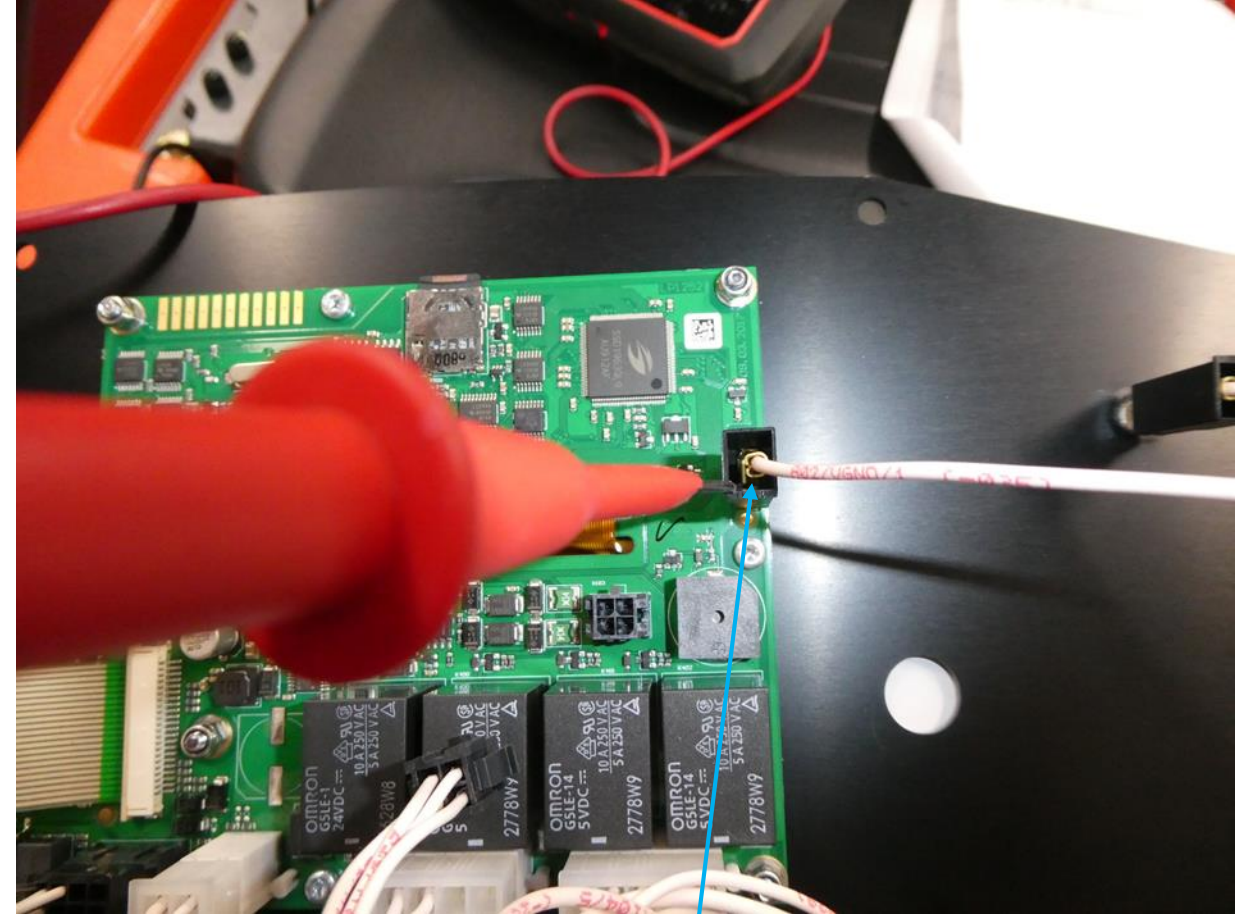
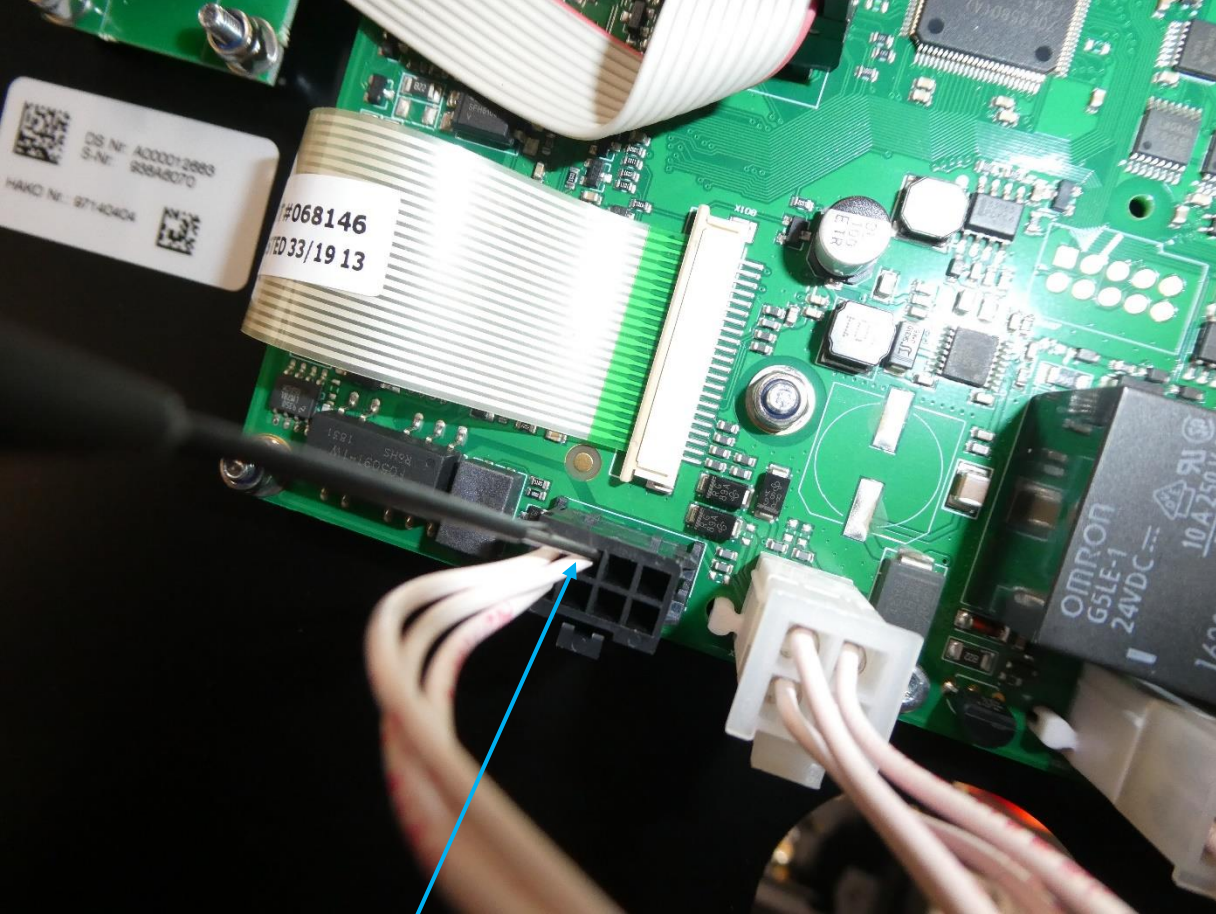
Reading should be .OL, if not this circuit needs to be checked for ground fault.



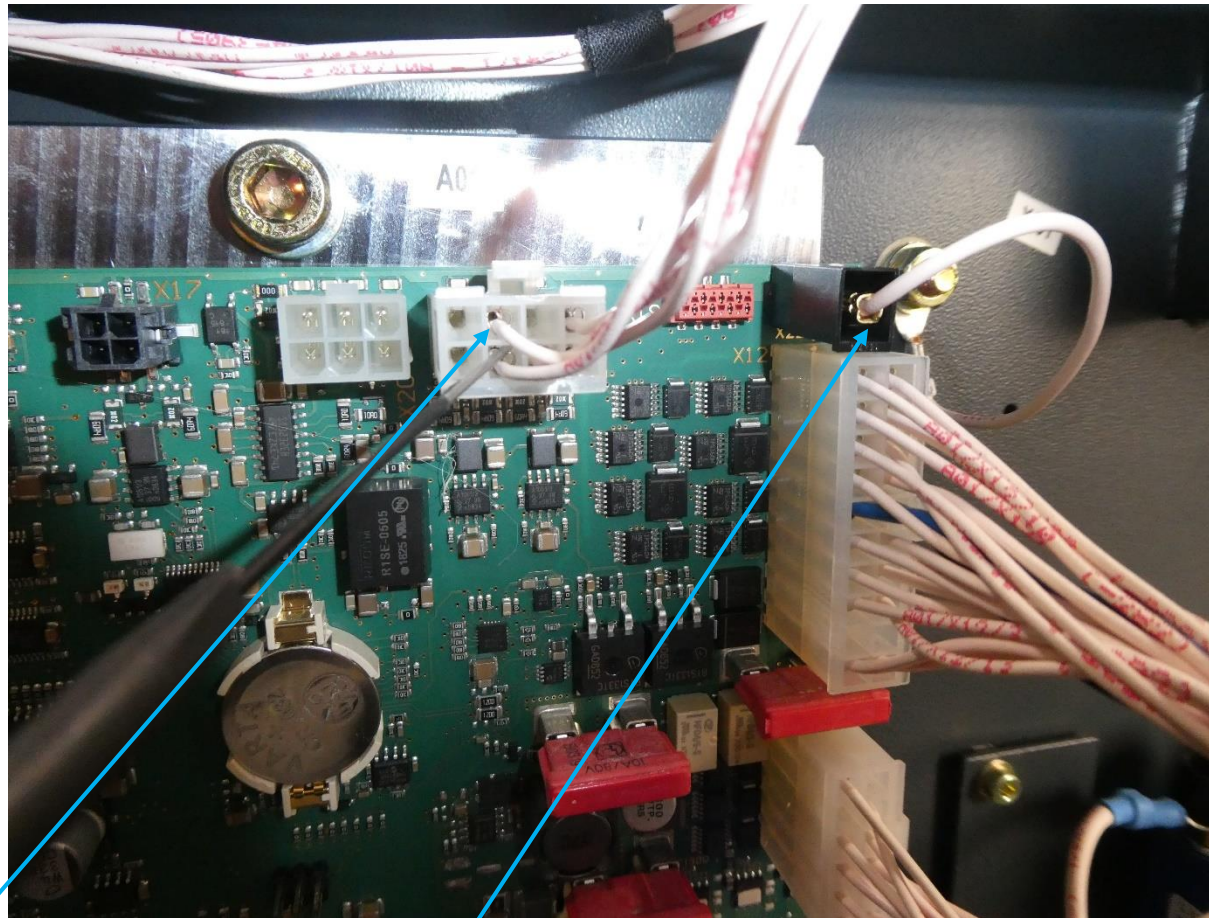
8 CKT.



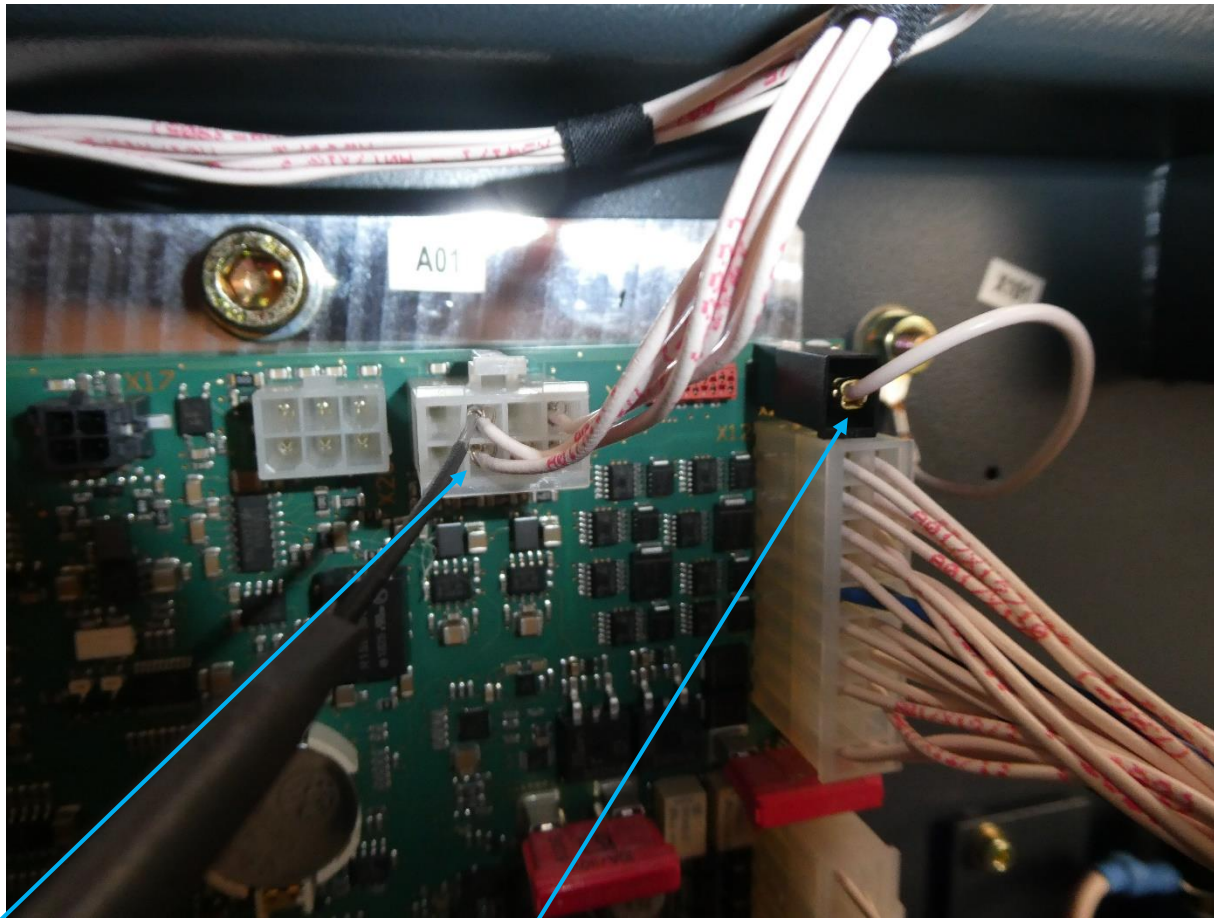
Check pin 1 of X105 plug on Control Board to chassis ground. Reading should be .OL, if not this circuit needs to be checked for ground fault.



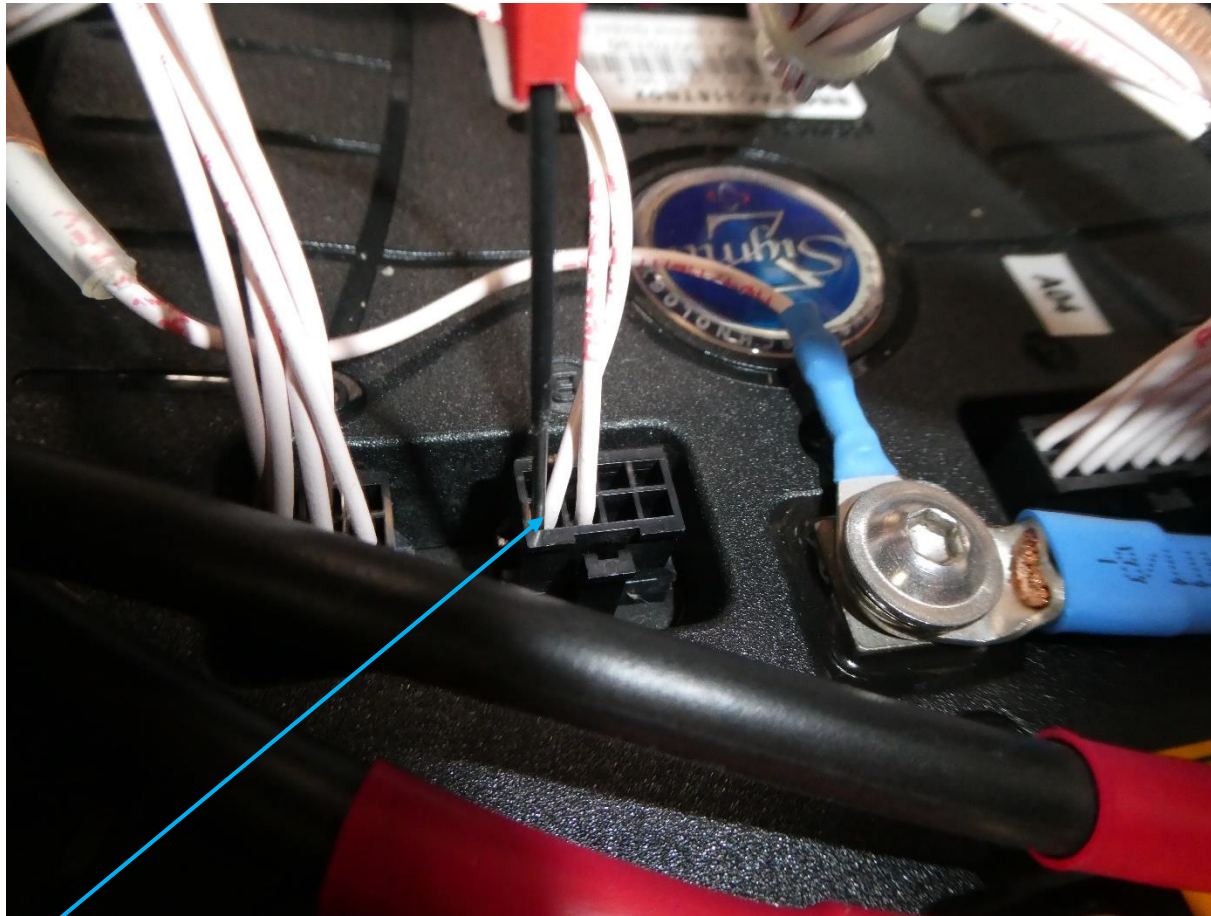
Check pin 2 of X105 plug on Control Board to chassis ground. Reading should be .OL, if not this circuit needs to be checked for ground fault.



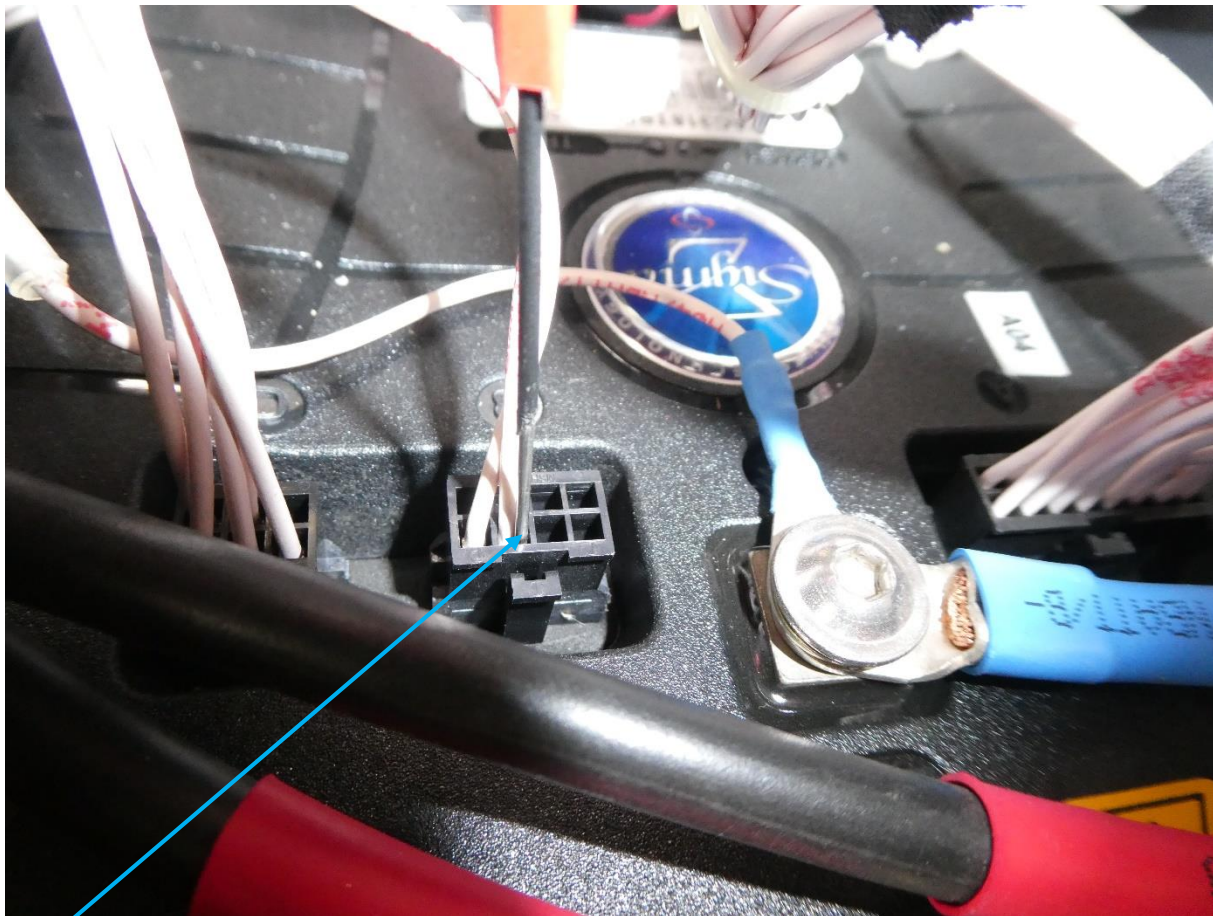
Check from pin 7 on X18 on A01 board to chassis ground. Reading should be .OL, if not that circuit will need to be checked for ground fault.



Check from pin 3 on X18 on A01 board to chassis ground. Reading should be .OL, if not that circuit will need to be checked for ground fault



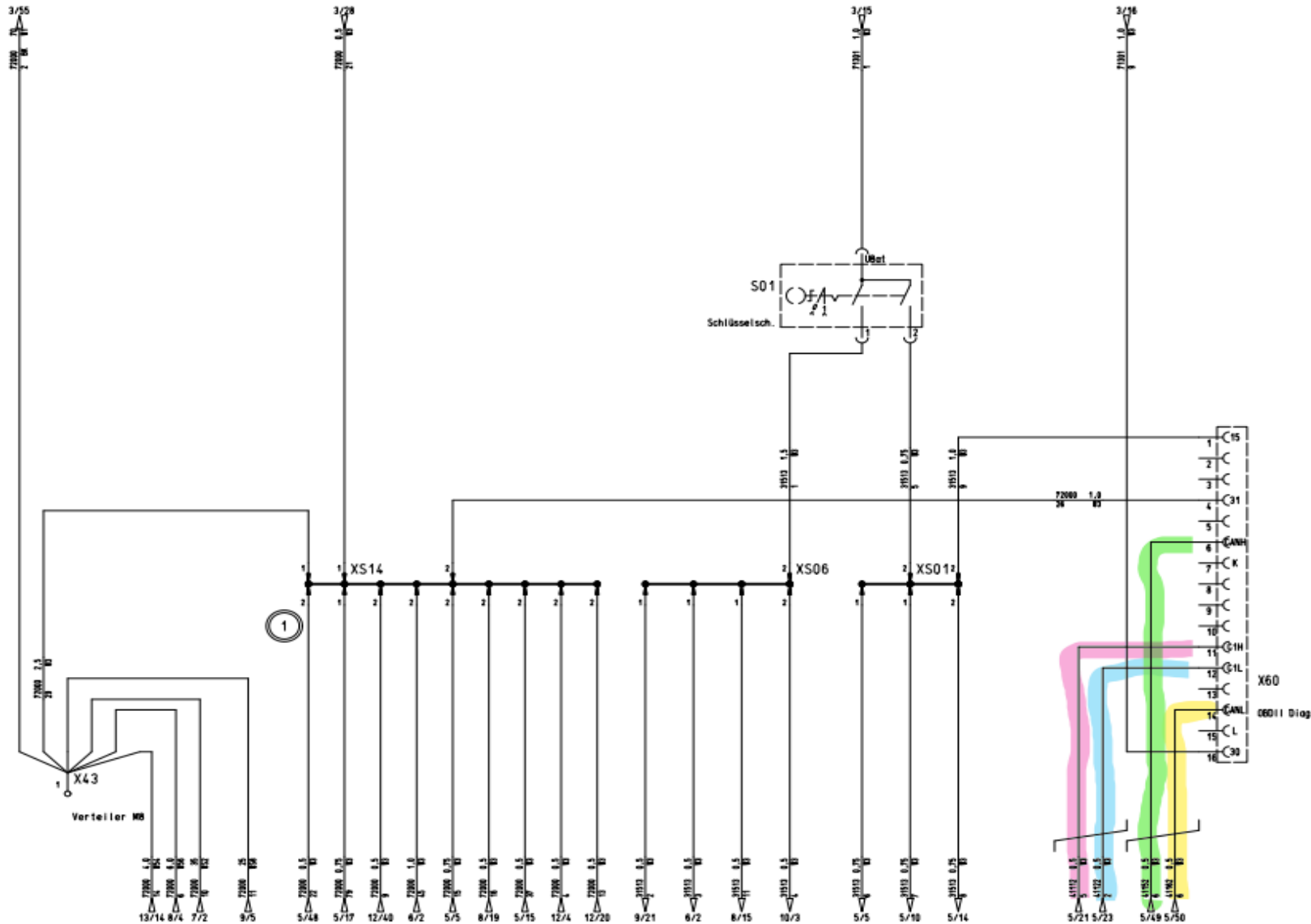
Check from pin 5 on plug B of A04 Drive controller to chassis ground. Reading should be .OL, if not that circuit needs to be checked for a ground fault.



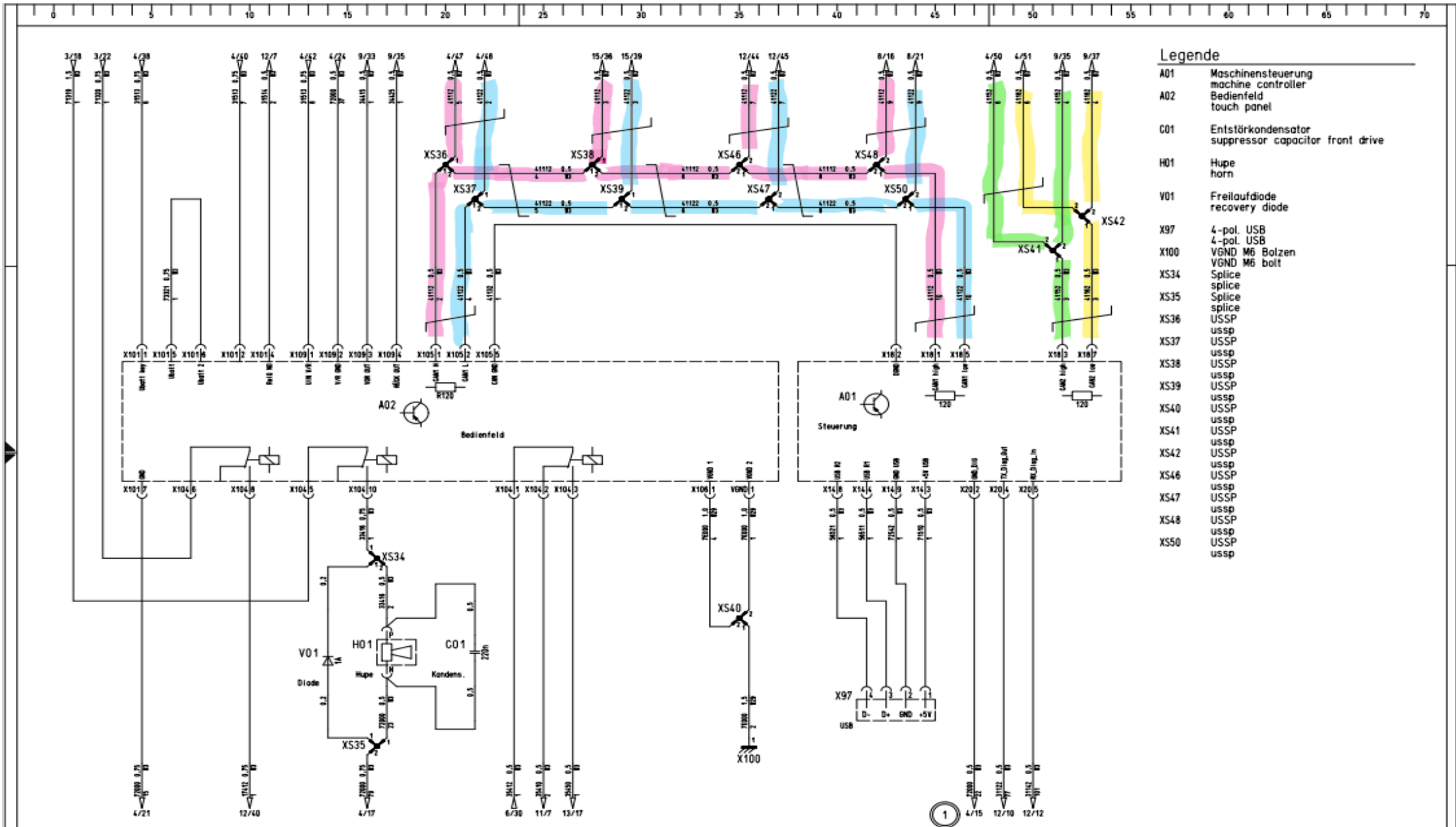
Check from pin 6 on B plug on A04 Drive controller. Reading should be .OL, if not circuit needs to be checked for a ground fault.

Legende

- S01 Schlüsselschalter
key switch
- X43 Verteilerbolzen (-) M8
junction bolt (-) M8
- X60 OBDII Diagnosestecker
OBDII diagnostic connector
- XS01 USSP
ussp
- XS06 USSP
ussp
- XS14 USSP
ussp



1	1x	4104-34	19.09.19	RI	2017	Date	Name	B260 R	Name	 Hera Group	Drawing Number
42	No	Number appears	Change No.	Date	Name	Standard	Verified	Replaces for	Schaltplan B260 R / circuit diagram B260 R		91039289
For this drawing we reserve all rights (acc. DIN ISO 16016)										KAB1 479	No. of Sh. 18 Sheet 4

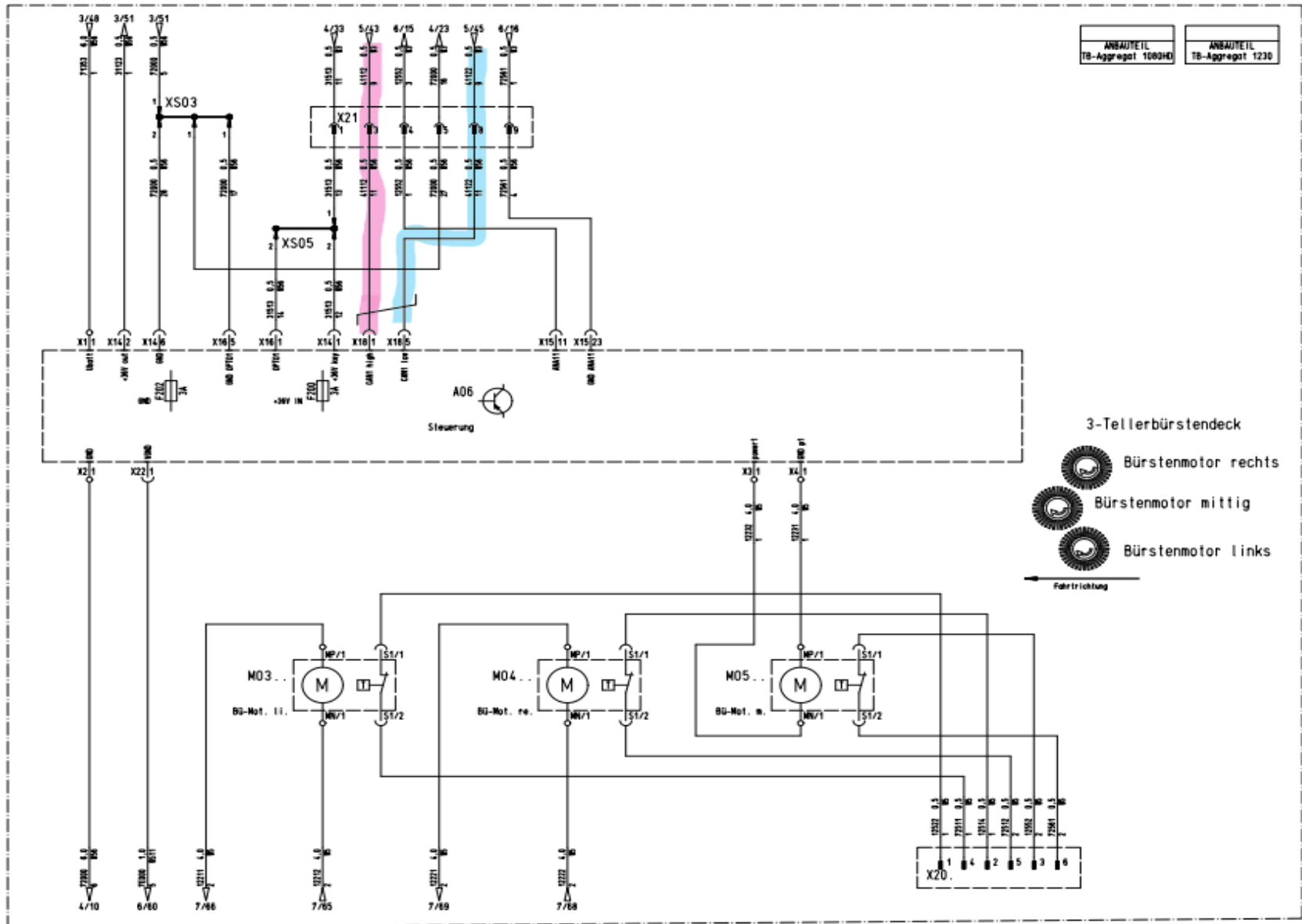


- Legende**
- A01 Maschinensteuerung
machine controller
 - A02 Bedienfeld
touch panel
 - C01 Entstörkondensator
suppressor capacitor front drive
 - H01 Hupe
horn
 - V01 Freilaufdiode
recovery diode
 - X97 4-pol. USB
4-pol. USB
 - X100 VGND M6 Bolzen
VGND M6 bolt
 - XS34 Splice
splice
 - XS35 Splice
splice
 - XS36 USSP
ussp
 - XS37 USSP
ussp
 - XS38 USSP
ussp
 - XS39 USSP
ussp
 - XS40 USSP
ussp
 - XS41 USSP
ussp
 - XS42 USSP
ussp
 - XS46 USSP
ussp
 - XS47 USSP
ussp
 - XS48 USSP
ussp
 - XS50 USSP
ussp

i. A. 16.07.19/R1

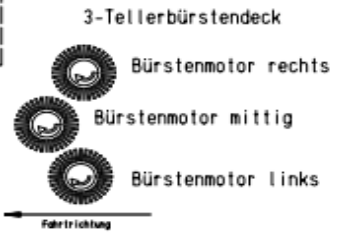
1		1x	4104-34	19.09.19	RI	2017	Date	Name	B260 R	Name	Schaltplan B260 R / circuit diagram B260 R	Drawing Number	91039289
A2 No.		Number appears	Change No.	Date	Name	Standard	Verified	Replacem. for	Change No.	4070-30	For this drawing we reserve all rights (acc. DIN ISO 16016)	KAB1 470	No. of Sh. 18 Sheet 5



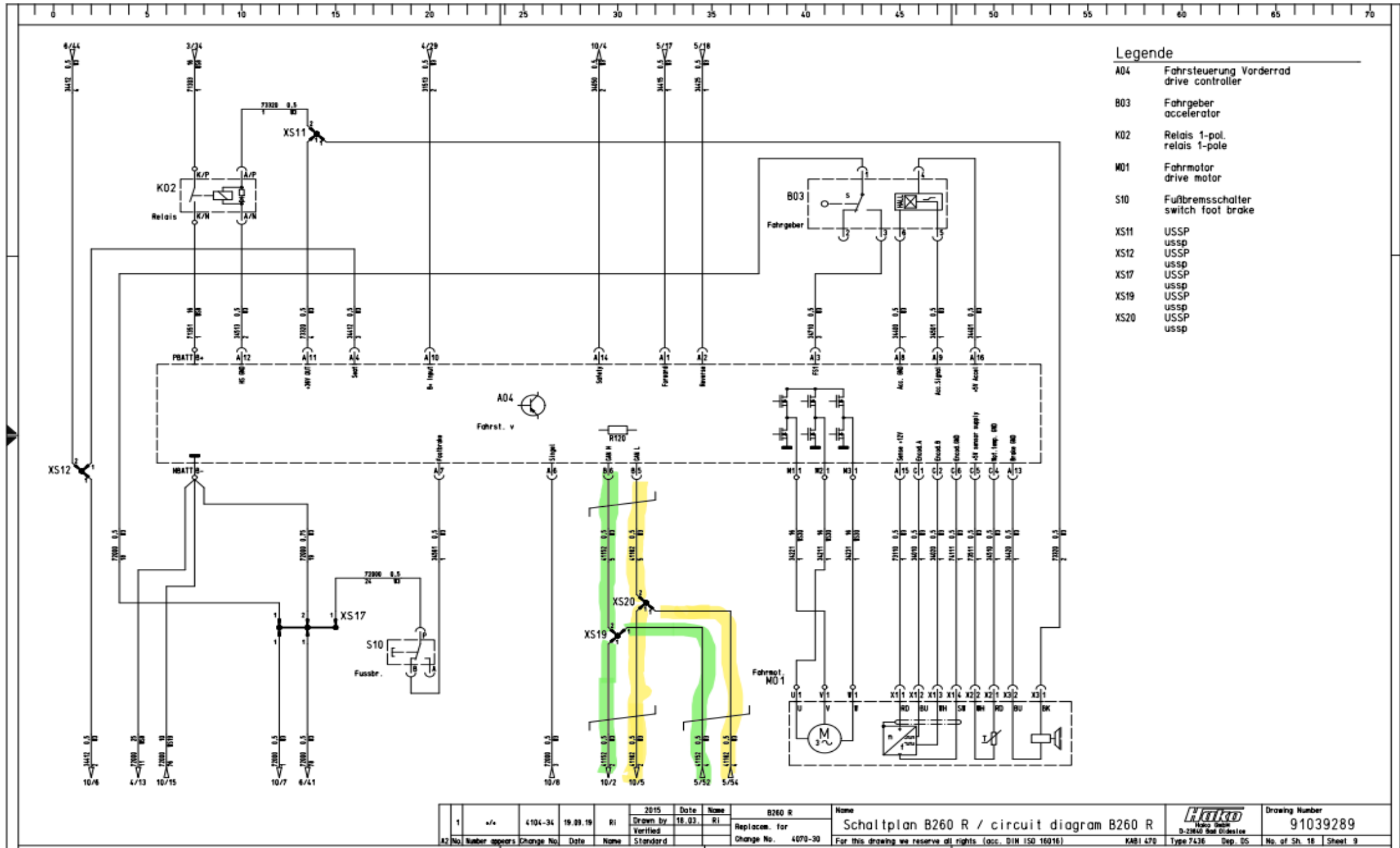


ANBAUTEIL TB-Aggregat 1003H	ANBAUTEIL TB-Aggregat 1230
--------------------------------	-------------------------------

- ### Legende
- A06 Maschinsteuerung Slave
machine controller slave
 - M03. Bürstenmotor links (Tellerbürste)
brush motor left (plate brush)
 - M04. Bürstenmotor rechts (Tellerbürste)
brush motor right (plate brush)
 - M05. #BMM05
#BMM05
 - X20. 6-pol. Mini-Fit Jr.
6-pol. Mini-Fit Jr.
 - X21. 10-pol. Mini-Fit Jr.
10-pol. Mini-Fit Jr.
 - XS03. USSP
ussp
 - XS05. USSP
ussp



1	sch	4104-34	19.09.19	RI	2015	Date	Name	B260 R	Name	Schaltplan B260 R / circuit diagram B260 R	 0-20000 Std. Garantie Type 7436 Dep. 05	Drawing Number	91039289		
A2	No	Number appears	Change No.	Date	Name	Standard	Verified	Replaces for	Change No.			4070-30	For this drawing we reserve all rights (acc. DIN ISO 16016)	No. of Sh.	18



- Legende**
- A04 Fahrsteuerung Vorderrad
drive controller
 - B03 Fahrer
accelerator
 - K02 Relais 1-pol.
relais 1-pole
 - M01 Fahrmotor
drive motor
 - S10 Fußbremsschalter
switch foot brake
 - XS11 USSP
 - XS12 USSP
 - XS17 USSP
 - XS19 USSP
 - XS20 USSP

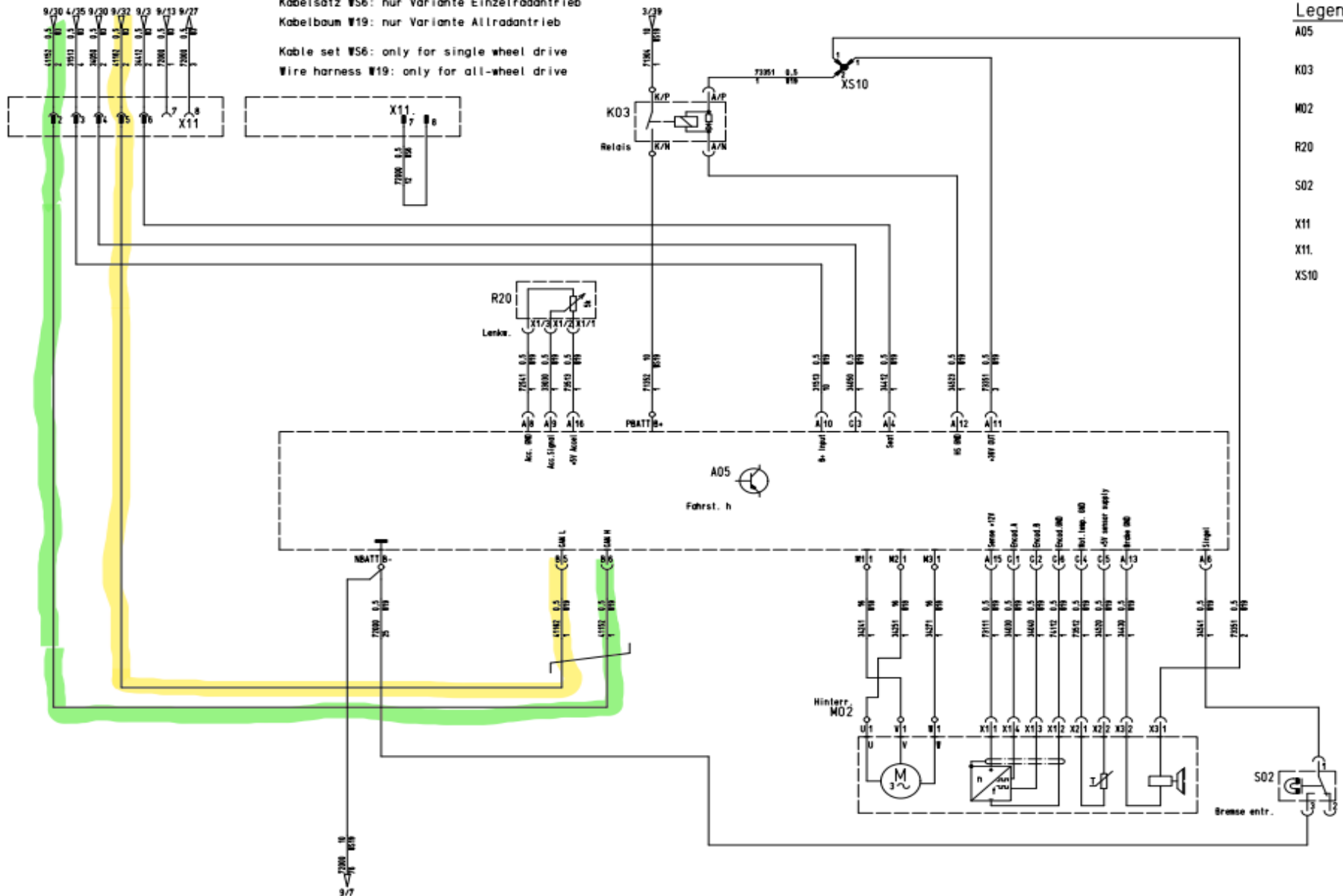
1	•/•	4104-34	19.09.19	RI	2015	Date	Name	B260 R	Name	Schaltplan B260 R / circuit diagram B260 R	Drawing Number	91039289
K2	No	Number appears	Change No.	Date	Name	Standard	Verified	Replaces for	Change No.	4070-30	For this drawing we reserve all rights (acc. DIN ISO 16016)	
										Type 7436 Dep. 05 No. of Sh. 18 Sheet 9		



Kabelsatz W56: nur Variante Einzelradantrieb
 Kabelbaum W19: nur Variante Allradantrieb
 Kabel set W56: only for single wheel drive
 Wire harness W19: only for all-wheel drive

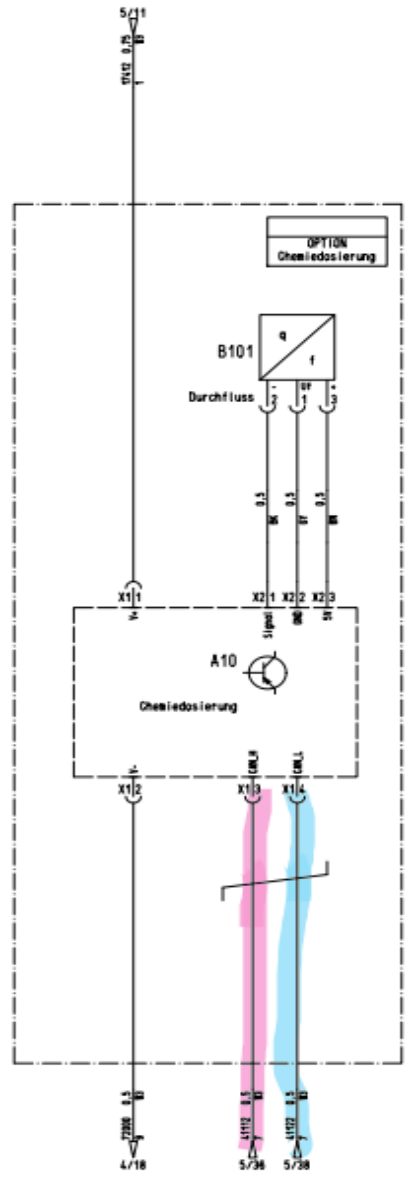
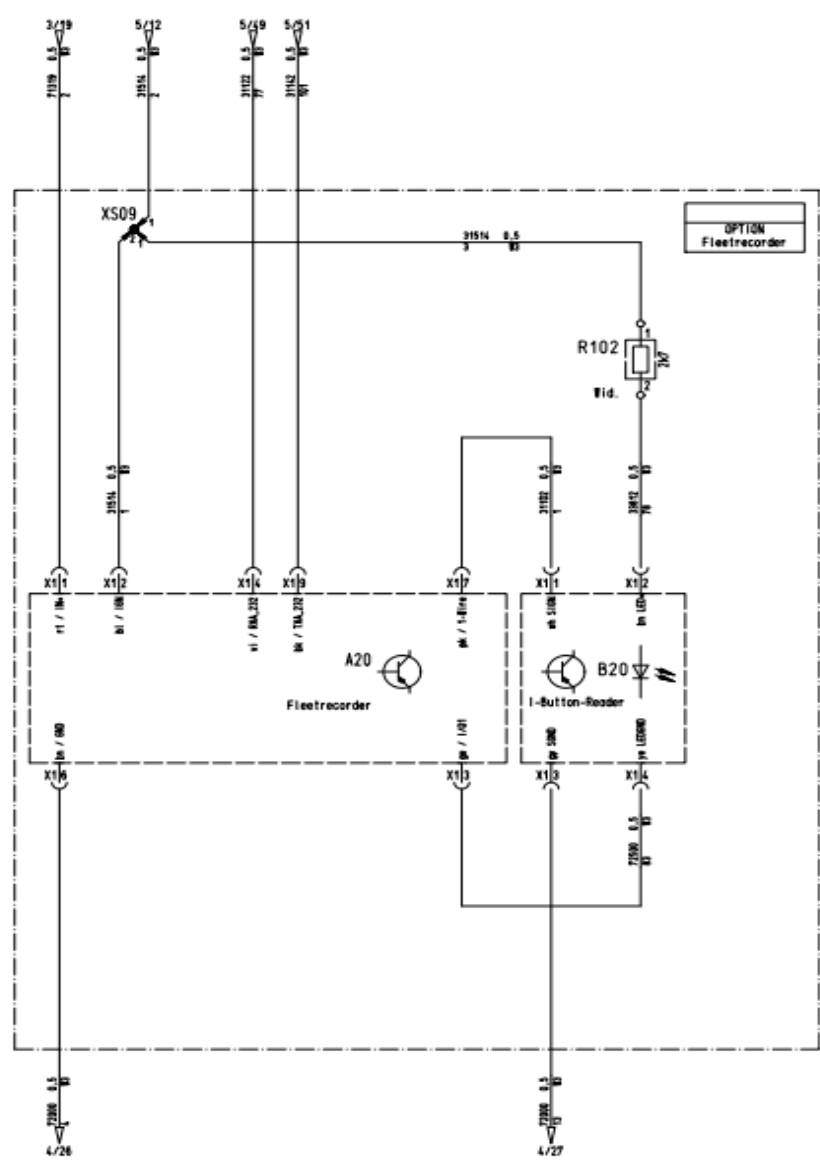
Legende

- A05 Fahrsteuerung Hinterrad drive controller
- K03 Relais 1-pol. relais 1-pole
- M02 Hinterradantrieb drive motor rear
- R20 Lenkwinkelsensor sensor steer angel
- S02 Schalter Bremsüberwachung switch brake unlock
- X11 8-pol. Mini-Fit Jr. 8-pol. Mini-Fit Jr.
- X11. 8-pol. Mini-Fit Jr. 8-pol. Mini-Fit Jr.
- XS10 USSP ussp



1	w/c	4104-34	19.09.19	RI	2015	Date	Name	B260 R	Name	Schaltplan B260 R / circuit diagram B260 R	 HAKKO 0-2000 500 01000 Type 7436 Dep. 05	Drawing Number	91039289
A2	No	Number appears	Change No.	Date	Name	Standard	Verified	Replaces for	Change No.			4070-30	For this drawing we reserve all rights (acc. DIN ISO 16016)





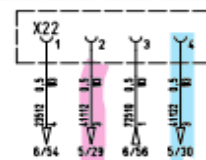
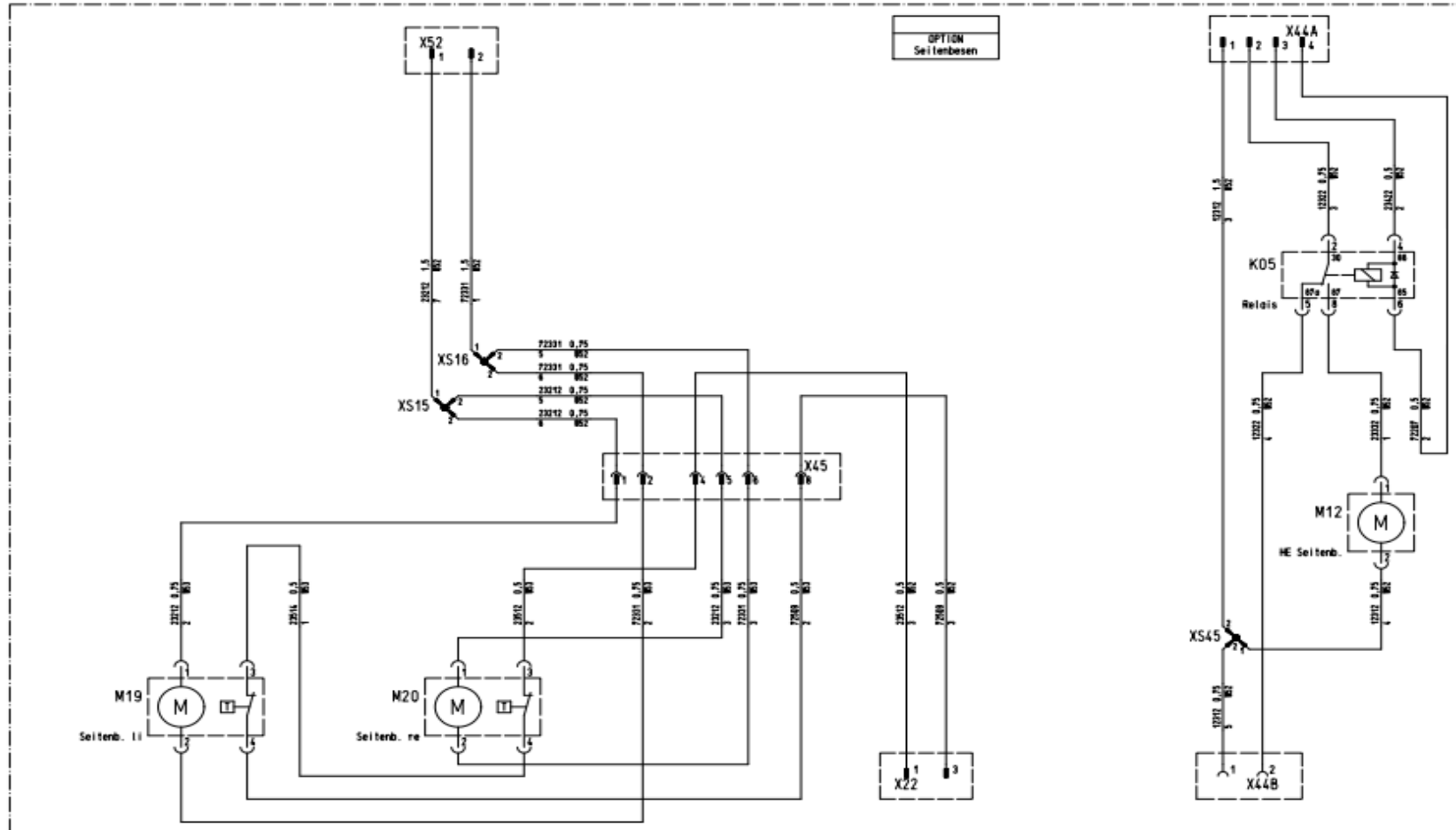
- Legende**
- A10 Chemiepumpensteuerung
chemical pump controller
 - A20 Fleetrecorder
fleetrecorder
 - B20 I-Button-Reader
i-button-reader
 - B101 Durchflussmesser
flow sensor
 - R102 Vorwiderstand 2k7
resistor 2k7
 - XS09 USSP
ussp

1	•/•	4104-34	19.09.19	RI	2017	Date	Name	B260 R	Name	Schaltplan B260 R / circuit diagram B260 R	 0-2060 808 010106 Type 7436 Dep. 05	Drawing Number	91039289		
A2	No	Number appears	Change No.	Date	Name	Standard	Verified	Replaces for	Change No.			4070-30	For this drawing we reserve all rights (acc. DIN ISO 16016)	No. of Sh.	18

Steckverbinder X44A an Buchse
des Steckverbinders X44 anschliessen
Connect X44A to socket housing
of X44

Legende

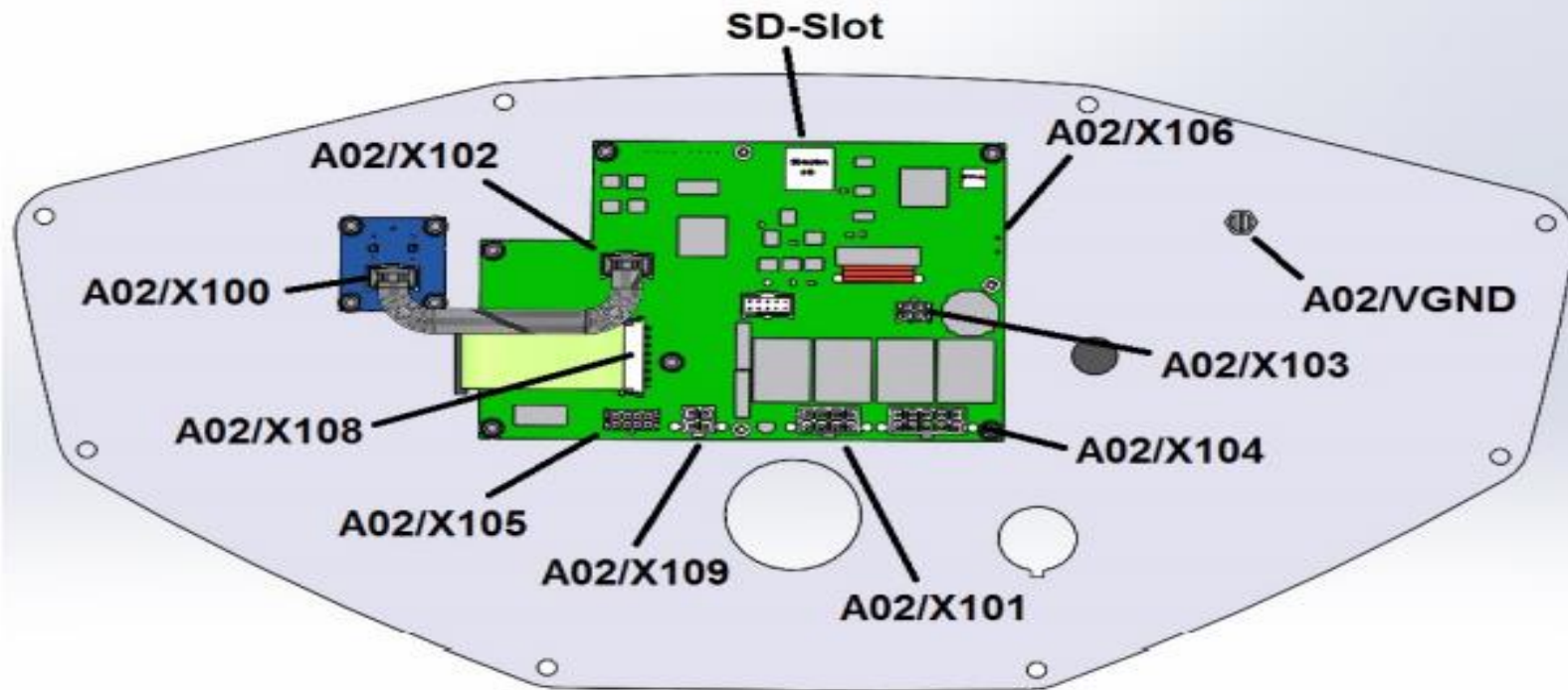
- K05 Rel. Ausheb. Seitenb.
rel. actuator sidebr.
- M12 Hubelement Seitenbesenanlage
lifting element side brush deck
- M19 Seitenbesenmotor links
sidebroom motor left
- M20 Seitenbesenmotor rechts
sidebroom motor right
- X22 4-pol. Mini-Fit Jr.
4-pol. Mini-Fit Jr.
- X44A 4-pol. Fastin-Faston 6.3
4-pol. Fastin-Faston 6.3
- X44B 4-pol. Fastin-Faston 6.3
4-pol. Fastin-Faston 6.3
- X45 8-pol. Mini-Fit Jr.
8-pol. Mini-Fit Jr.
- X52 2-pol. Fastin-Faston 6.3
2-pol. Fastin-Faston 6.3
- XS15 USSP
ussp
- XS16 USSP
ussp
- XS45 USSP
ussp



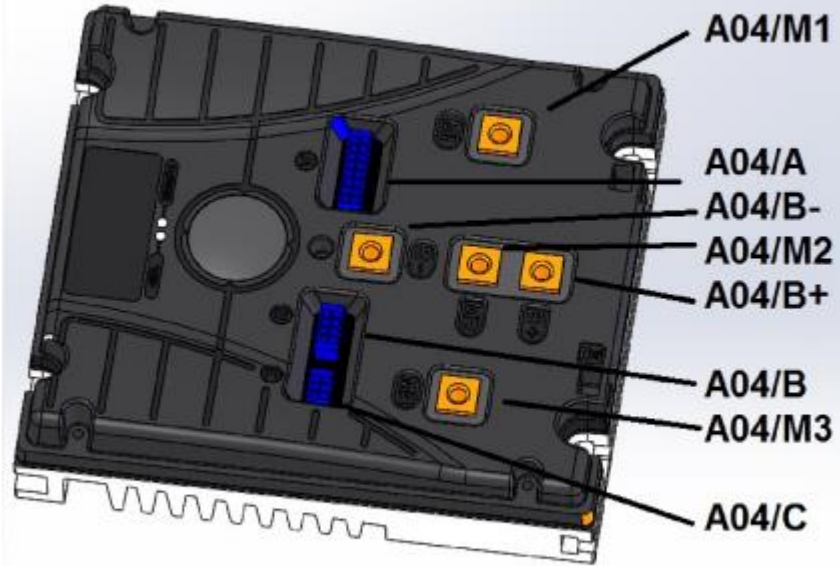
Steckverbinder X44B an Stecker
des Steckverbinders X44 anschliessen
Connect X44B to plug housing
of X44

1	✓/✓	4104-34	19.09.19	RI	2017	Date	Name	B260 R	Name	Schaltplan B260 R / circuit diagram B260 R	 Heiko GmbH D-23845 Rind Oostsee	Drawing Number 91039289			
A2	No.	Number appears	Change No.	Date	Name	Standard	Drawn by 24.07	RI	Replaced for 4070-30				For this drawing we reserve all rights. (acc. DIN ISO 16016)	KAB1 470	Type 7436

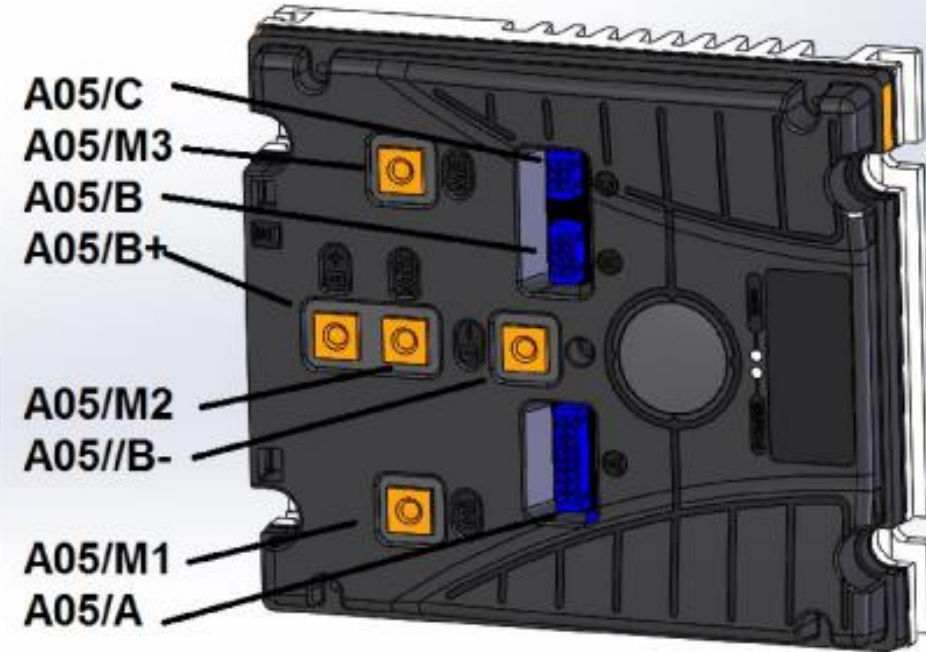
A02: Bedienfeld (Blick auf Platine)
A02: control panel (view of the board)



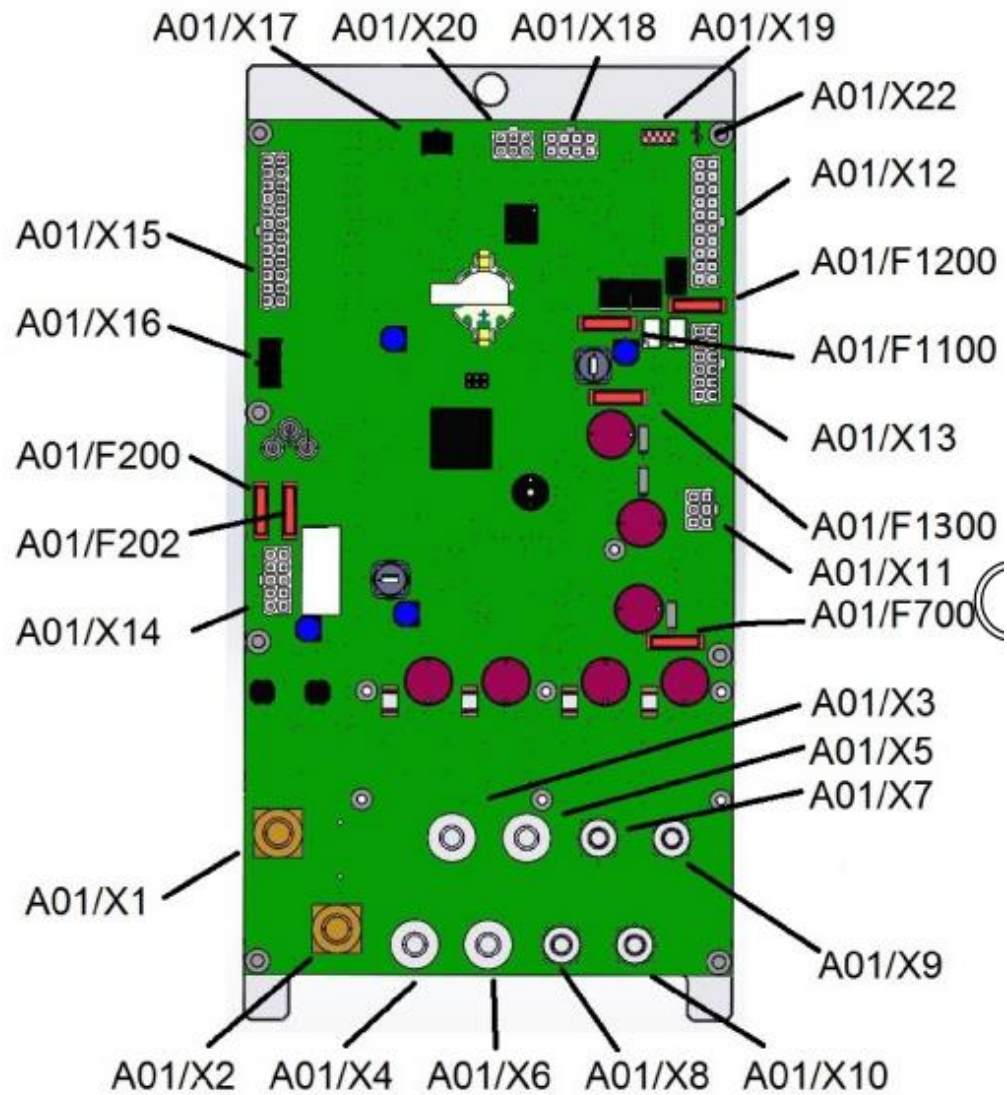
A04: Fahrsteuerung Vorderantrieb
A04: drive controller front drive



A05: Fahrsteuerung Hinterradantrieb
A05: drive controller rear wheel drive



A01: Maschinensteuerung
A01: machine controller



A06: Maschinensteuerung Slave
A06: machine controller slave

